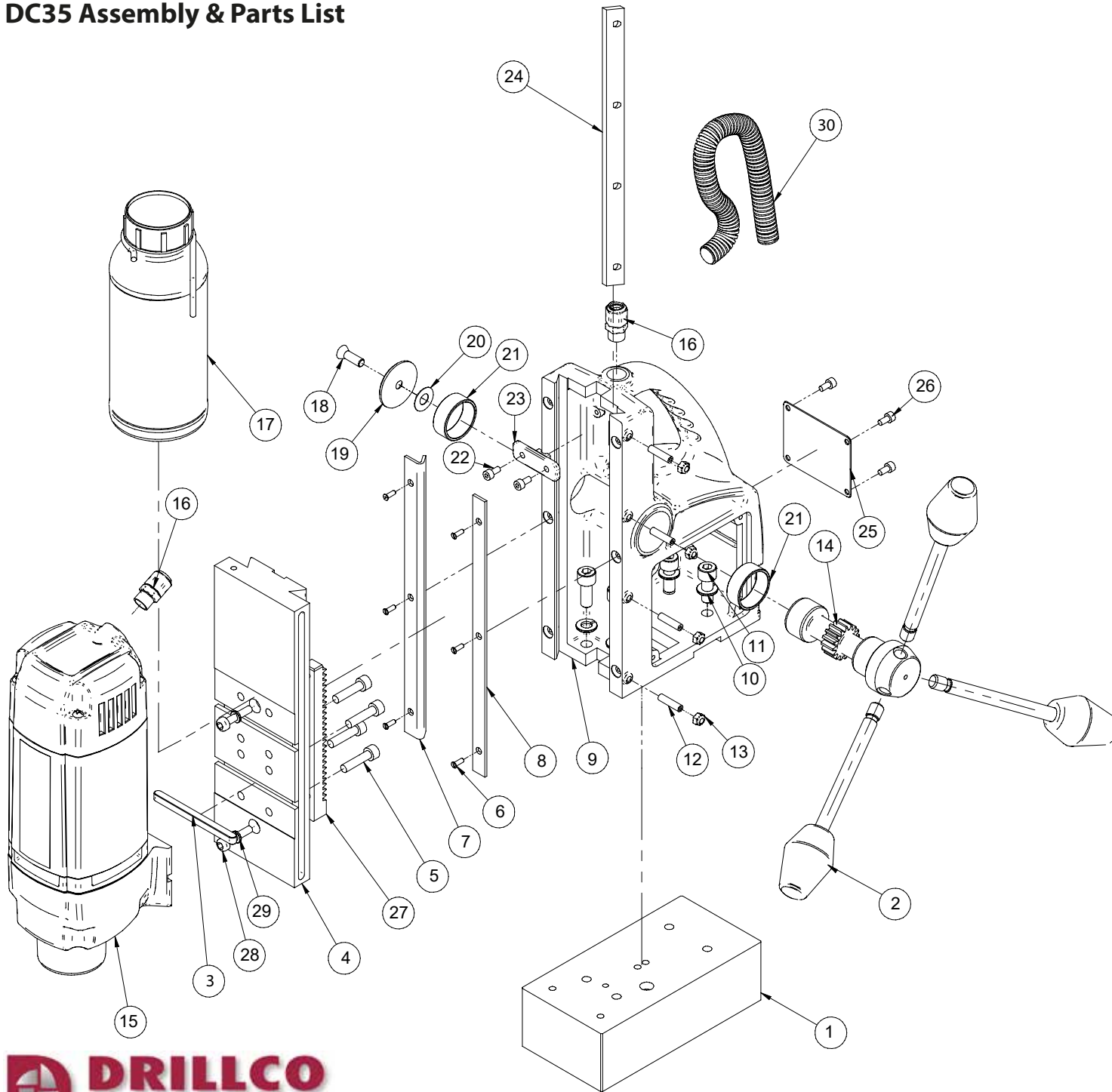


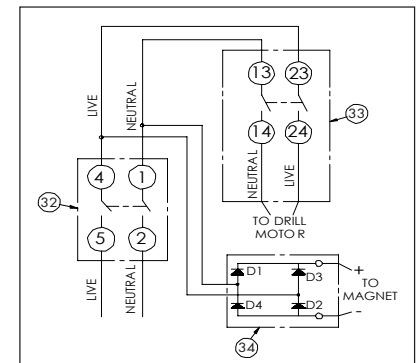
DC35 Assembly & Parts List



No.	PART NAME	Qty.
1	Magnet base Assy.	1
2	Handle lever Assy.	3
3	Key	1
4	Guide Plate	1
5	Screw M6 x 25	4
6	Countersunk screws M3x8	6
7	Brass Strip Left	1
8	Brass Strip Right	1
9	Main Body	1
10	Spring washer M8	4
11	Screw M8 x 20	4
12	Grub Screw M5 x 20	4
13	Lock nut M5	4
14	Spindle	1
15	DC35 Drill Unit - 110V	1
16	Gland PG9	2
17	Coolant bottle Assy.	1
18	Spindle Lock countersunk screw M6 x16	1
19	Spindle cap	1
20	Lock foil	1
21	Spindle bush	2
23	Cord Clamp	1
24	Gib	1
25	Spec.plate	1
22,26	Screw M4x10	6
27	Rack	1
28	Screw M5 x 25	2
29	Int.tooth lock washer M5	2
30	Cable conduit	1
Not shown	Safety guard	1

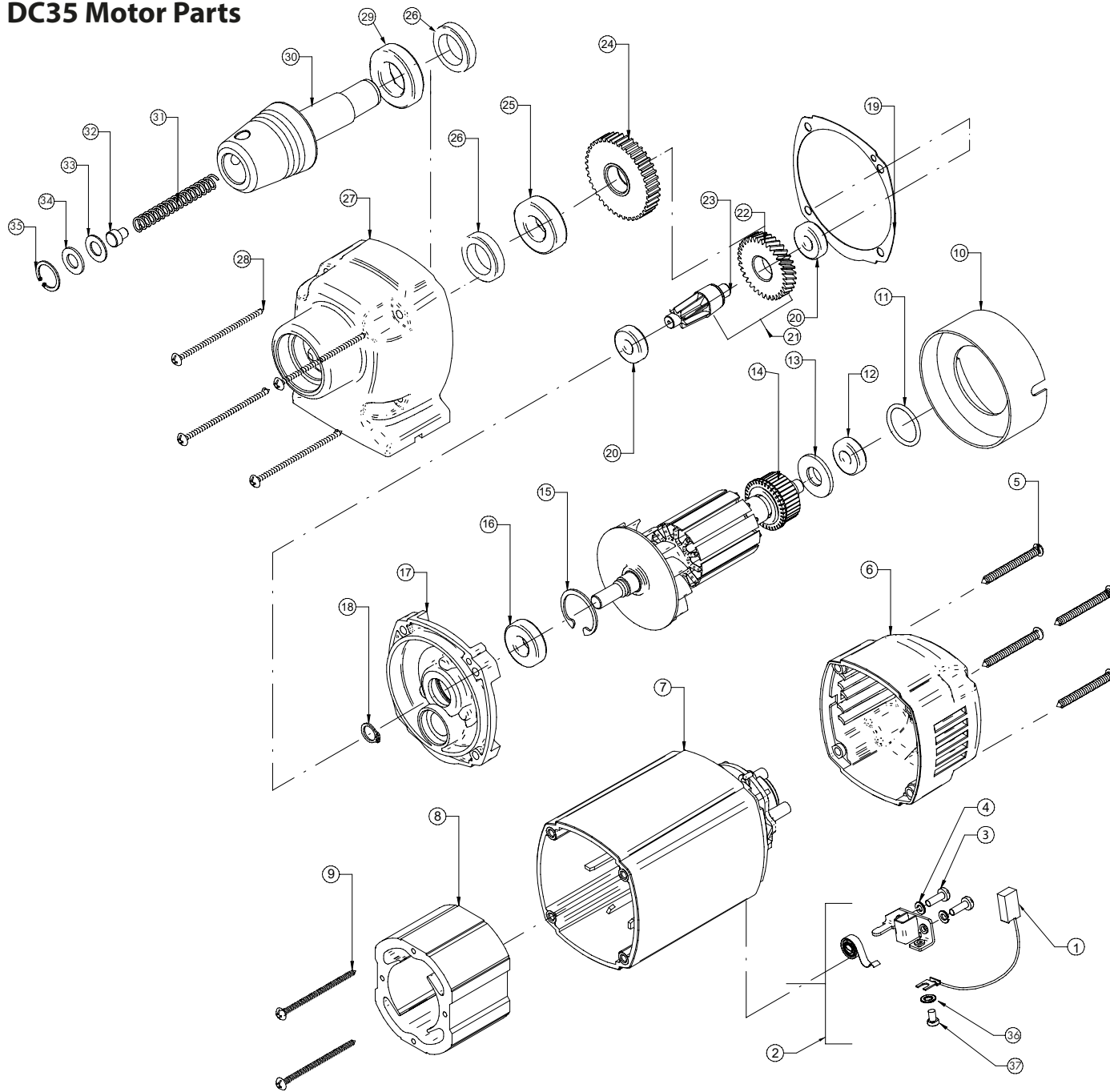
Switch Panel & Wiring diagram

31	Switch plate (not shown)	1
32	Drill stop/start switch 110v	1
33	Magnet switch	1
34	25A Bridge Rectifier	1



NOTE: The Bridge Rectifier is glued to the reverse side of the switch plate.

DC35 Motor Parts



No.	PART NAME	Qty.
1	Carbon brush Assy. 6.3x10x18	2
2	Brush holder Assy.	2
3	Screw M4 x12	4
4	Spring Washer M4	4
5	Philips head self tap screw 4.8x45	4
6	Back cover	1
7	Field coil casing	1
8	Field Coil Assy. 110v.	1
9	Philips head self tap screw 3.9x60	2
10	Baffle	1
11	O Ring	1
13	Dust washer	1
12,20	Ball Bearing (8-22-7) 608 2Z	3
14	Armature Assy. 110v	1
15	Circlip 28mm x 1.2 B TYPE	1
16	Ball Bearing (12-28-8)6001 2Z	1
17	Gear case cover	1
18	Circlip 10mm x 1 A TYPE	1
19	Gasket	1
21	Inter shaft Assy.	1
24	Spindle Gear	1
25	Ball Bearing (17-35-10) 6003 2RS	1
26	Oil Seal 20-30-7 TYPE B	2
27	Gear case	1
28	Philips head self tap screw 4.8 x 60	4
29	Ball Bearing 6904 2RS	1
30	Arbor body.	1
31	Arbor spring	1
32	Arbor ejection plug	1
33	Arbor washer	1
34	Arbor rubber washer	1
35	Arbor circlip	1
36	Carbon brush washer	2
37	Carbon brush fixing screw	2