



D688[®] AngLock[®] Vise Base Assembly

Operating Instructions Manual
Manual de instrucciones de operación



ENGLISH

ESPAÑOL

Table of Contents

Introduction 3
Setup Instructions..... 4
Operating Instructions 5-7
D688 Parts List 8
D688 Mechanical Drawing..... 9
Maintenance Schedule..... 10-12
Troubleshooting Tips 13



CAUTION:

Is used when your action or lack of action may cause serious injury.

Vise Data

Use this to fill out information about your vise for quick reference.

Purchase Date: _____ - _____ - _____

Purchase Order: _____

Purchased From: _____

Delivery Date: _____

Serial No.: _____

Note:

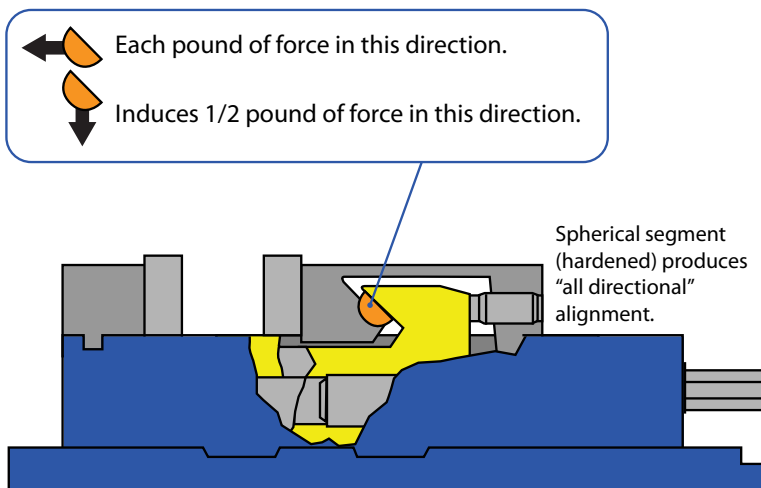
Make sure to register your warranty online at kurtworkholding.com

Introduction

Thank you for purchasing a Kurt vise. You have just purchased one of the best machine vises in the industry. The D-Series AngLock vise has a time proven design. The outstanding accuracy of this product is second to none. Backed by a lifetime warranty, this product will last forever when used and maintained properly.

The original Kurt Anglock vises are designed for precision clamping on basic machine tools such as knee-type mills, grinders and machining centers. They can be used for but are not limited to operations like precision boring, drilling, tapping, grinding & finishing.

The patented Anglock design allows the movable jaw to advance in such a way that each pound of force forward induces a ½ pound force downward which minimizes the jaw lift and increases accuracy. This combined with the needle bearings increases jaw clamping pressure. Other features include: 80,000 psi ductile iron body, hardened vise bed & jaw plates, semi-hard steel screw.



Set-up Instructions

Now that you have your new Kurt Vise, it's time to set-up and begin using it. You will see that your new vise comes with a Kurt swivel handle, chip guard and instruction manual in the shipping carton. The chip guard rests between the ways of the vise and can be trimmed to size to help keep the chips out of the screw. The handle is specifically designed to provide maximum torque to your vise. Your vise should be mounted to a clean, flat surface. The surface and the vise must be free of any chips, dirt or debris of any kind. The mounting surface can be honed if necessary. Clean the bottom of the vise with solvent or other cleaner if needed.

To minimize vise bed deflection, clamp your Kurt vise to your machine table, pallet, or sub-plate using the built-in clamping slots provided.

Additional clamping can be used, but may not be necessary. Please be sure to exercise good judgment when securing your vise to the mounting surface. Be sure your vise is secured and will not move when applying the machine pressure.

Manual Vise Clamping Force

Torque Ft.-Lbs.	D688
10	1129
20	2242
30	3337
40	4148
50	5379
60	6310
70	6977
80	7968

Operating Instructions

For proper vise operation insert the handle on to the hex end of the vise. Rotate clockwise to clamp and counterclockwise to unclamp your vise. This handle, combined with the correct amount of torque will provide you with all the clamping force you will need to machine your parts. **DO NOT** use any other type of pressure to open or close your vise.

The uses of handle extensions, air impact wrenches, breaker bars or hammer strikes are not recommended and will void the warranty if used. This will also cause damage to the thrust bearing and screw threads. If you need more clamping force you may require a larger vise.

To properly clamp a part in your Kurt vise you should place the part in the center of the jaws resting on the ways of the vise. Clamping only on one side or above the movable and stationary jaws can result in jaw lift or loss of accuracy. *(See Fig. 1 on next page)*

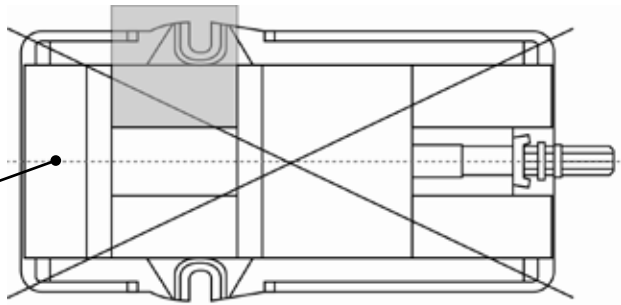
If one-sided clamping is necessary you **MUST** use a dummy part on the other side. When using parallels or step jaws you must select a size that keeps the bottom of the clamped part at or below the top of the movable and stationary jaws. Always use jaw plates for clamping. If jaw plates are not used damage to the mounting surface of the movable and stationary jaw will occur. This will result in reduced clamping accuracy and repeatability.

Fig.1

Sketch #2A

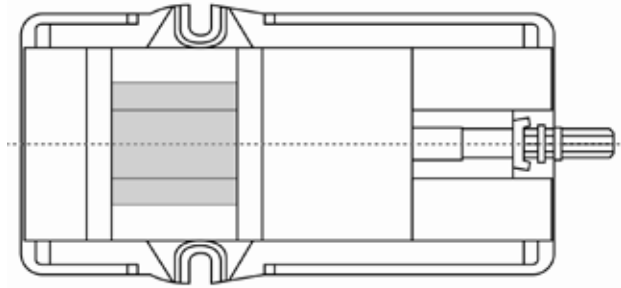
Incorrect part clamping.

Vise width centerline



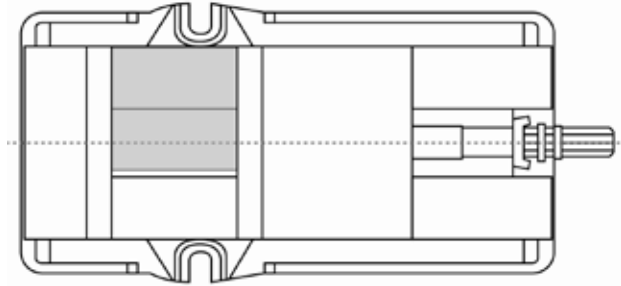
Sketch #2B

Correct part clamping.



Sketch #2C

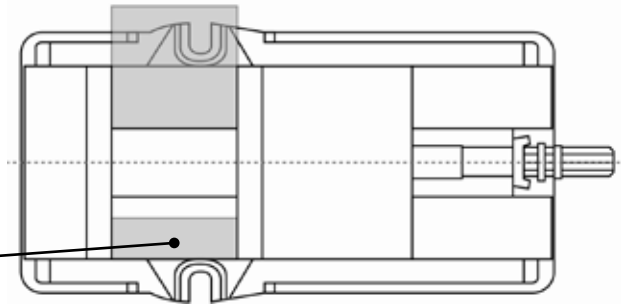
Correct part clamping.



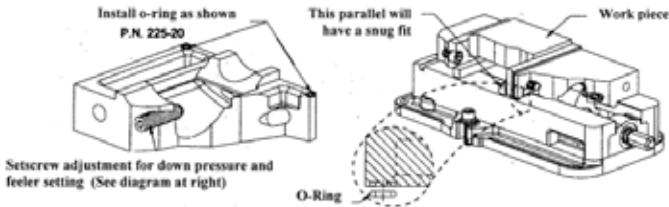
Sketch #2D

Correct part clamping.

Non-machined spacer



Proper O-Ring installation and usage

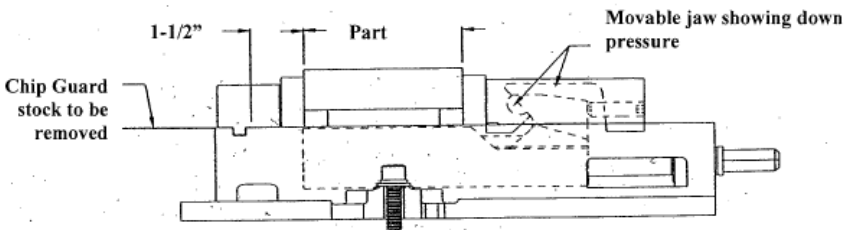


Most jobs require a tight contact between the workpiece and the parallels (see above). This option offered by Kurt Manufacturing Company is ideal for that. The O-Ring installation will provide for the movement needed when working with parallels.

Note: We do not recommend using this option with step jaws.

Installation: Install the O-Ring in the movable jaw as shown above in two places. Tighten the adjustment set screw for a .002" space under the front face of the movable jaw, then the jaw will tighten down during clamping and provide down movement, pulling the part onto the supporting parallel.

Proper Chip Guard installation and usage



CAUTION:

Chip Guard stock shown above is provided to keep chips from the nut and screw assembly and must be cut and deburred to meet your application and safety needs.

*This Chip Guard stock should be cutoff to fill the opening between jaw plates.

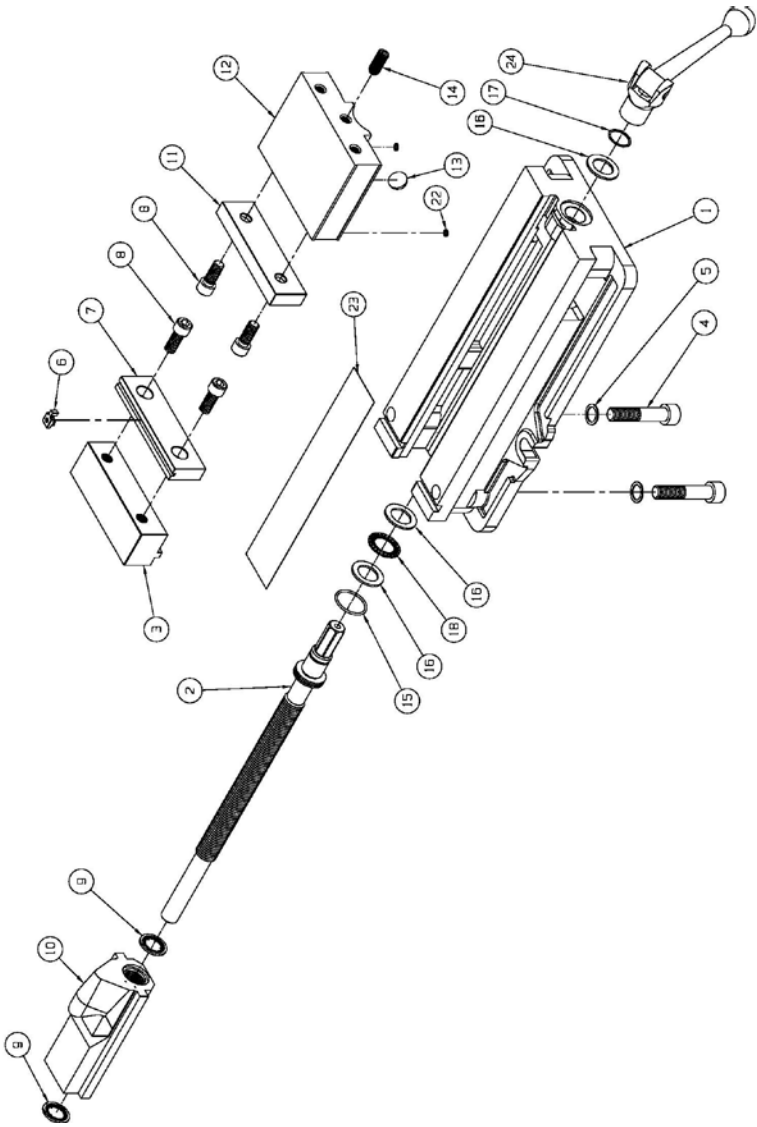
Example: Part plus 1 1/2 inches = Length of Chip Guard stock.

Note: Remove Chip Guard stock to lift vise. Corners of Chip Guard stock if left extended as shown above could cause injury.

D688 Parts List

ITEM#	PART #	DESCRIPTION	QTY.
1	D688-1	Body	1
2	D688-5	Screw	1
3	D675-6B	Stationary Jaw	1
4	00-1498	SHCS, 5/8-11 UNRC x 3 lg.	2
5	06-3016	SERT L/W .669 x .945 x.051	2
6	WSRL46	Work Stop Assembly	1
7	D60-315	Grooved Jaw Plate	1
8	00-1414	SHCS, 1/2-13 UNRC	4
9	D688-211	Internal Brush Seal	2
10	D688-3	Nut	1
11	D60-7	Jaw Plate	1
12	D675-2	Movable Jaw	1
13	*D60-9	Segment	1
14	01-3938	SHSS, 1/2-13 x 1-1/4	1
15	D675-68	O-ring #124	1
16	*D60-42	Thrust Bearing Washer	3
17	*D675-217A	Spiral Retaining Ring	1
18	*D60-41	Thrust Bearing	1
19	D688-102	I.D. Tag	1
20	07-0230	U-Type Drive Screw	2
21	D675-111	Kurt Logo Label	2
22	225-20	O-Ring, Polyurethane #00	1
23	DI600-249	Chip Guard (LONG)	1
24	D60I-10A-SA	Handle Assembly	1
-	D60-72	Thrust Bearing Assembly	1
*D688-KIT Includes.			

D688 Mechanical Drawing



Maintenance Schedule

It is very important to perform regularly maintenance on your Kurt vise to assure proper operation. Improper maintenance will result in poor vise performance and may void your warranty.

Daily/ Weekly

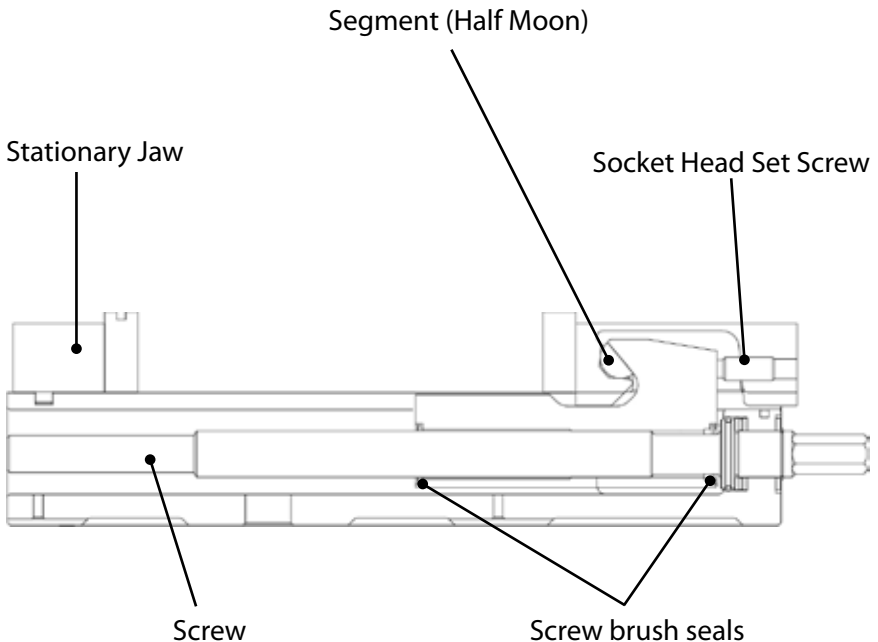
1. Remove chips from surface of vise.
2. Visually inspect for chips, seals for damage and cleanliness.
3. Visually inspect for chip entrapments and remove when necessary.
4. Air-dry and apply rust inhibiting oil to the machined surface of the vise.

Monthly

1. Open the vise to the maximum opening.
2. In the back of the movable jaw (handle end, center hole) loosen the socket head set screw (approx. 6 turns) With the hex key (Allen wrench) in the set-screw socket lift up and forward to pivot the Jaw off of the vise bed.
3. Slide the Jaw slightly toward the stationary jaw and lift up to remove the jaw from the "hook" of the nut. Note: A spherical segment (shaped as $\frac{1}{2}$ of a steel ball) is inside the cavity of the movable jaw and may fall out as the jaw is removed. Take care not to lose or misplace the spherical segment.
4. Turn the movable jaw over and clean the inside cavity. Also clean the spherical segment.
5. Remove chips, clean and apply a light coat of machine oil to the machined surface of the following item:
 - a. Nut & Screw assembly (clean exposed threads on the screw)
 - b. Bed of vise (top of "rails")
 - c. Inside of the vise between the center ways.
6. To re-assemble the movable jaw, apply a "glob" of grease to the under side of the movable jaw in the pocket. Place the spherical segment in the mating pocket and push into the grease. The grease will hold the segment in place when the jaw is turned over to replace.
7. Tip the jaw so the front of the jaw (the side with the jaw plate) is on the vise bed. Lower the jaw on to the bed so that the segment contact the hook part of the nut and rest the jaw on to the vise bed.

8. Tighten the setscrew to firmly contact the nut. Back off the setscrew ¼ turn (approx.) note: DO NOT leave the setscrew tightened firmly to the nut as this may cause improper operation. The movable jaw is designed to move slightly (pivot side to side) so maximum jaw plate contact is maintained when clamping out-of-parallel, sawed, or cast parts.
9. Your vise is now ready for use. Open and close your vise to check for proper operation. Center the part to be clamped in the vise and close. Your parts should be centered from side to side to insure proper clamping. (See Fig. 2 below)

Fig.2



3 to 6 months

1. Open vise to maximum opening.
2. Remove spiral snap ring and washer from hex end of the vise screw.
3. Slide the movable jaw toward the stationary.
4. Remove the thrust bearing assembly consisting of (2) thrust washers and (1) thrust bearing from the counter bore in the end of the body.
5. Clean and inspect the counter bore, thrust washers and thrust bearing.
6. Apply water resistant grease to the thrust washer (i.e. marine grade grease)
7. Install thrust bearing assembly on the screw and slide movable jaw back.
8. Install washer and spiral retaining ring.
9. Your vise is now ready to use.

Troubleshooting Tips

The Kurt D-Series vise will operate mostly trouble free for many years. If properly maintained, this product is indestructible. In some cases it will be necessary to troubleshoot. Use the information below to help in the process.

Problem: My vise turns hard.

Tip: As a new vise the brush seal could be stiff. Allow for break in of vise.

Tip: As a used vise, it could be filed with chips and threads could be jammed. Properly clean and grease vise.

Problem: My vise will not turn in either direction.

Tip: The vise is jammed with debris. Disassemble and clean as needed.

Problem: My vise won't hold tolerance.

Tip: You may be experiencing jaw lift from clamping too high or on one side of the jaw. Lower the part in the vise jaw and clamp more material.



**Thank you for your purchase!
If you have any feedback or questions.**

**Please contact us at:
workholding@kurt.com
or
1-877-226-7823**

Like, Tweet, and Subscribe to us!





LIFETIME WARRANTY

IRON CLAD™

On All Kurt® AngLock® Workholding Products

All Kurt Manufacturing Company industrial workholding products and parts with the exceptions noted below, are warranted against defects in material and workmanship for the life of the product or part. (The life of the product is defined as that point in time when such item no longer functions due to normal wear and tear.) Failure to properly maintain and/or properly operate the product or part that has been worn out, abused heated ground or otherwise altered, used for a purpose other than that for which it was intended, or used in a manner inconsistent with any instructions regarding its use. The sole obligation of Kurt Manufacturing Company, Inc. (Kurt) and the purchaser's SOLE AND EXCLUSIVE REMEDY hereunder, shall be limited to the replacement or repair of any Kurt product or part (by an authorized Kurt technician) which are returned to Kurt Manufacturing Company's place of business, transportation, shipping and postal charges prepaid, and there determined by Kurt Manufacturing Company to be covered by the warranty contained herein.

THE LIMITED WARRANTY DESCRIBED HEREIN IS MADE EXPRESSLY IN LIEU OF ANY OTHER EXPRESSED OR IMPLIED WARRANTIES, INCLUDING ANY IMPLIED WARRANTY OF MERCHANTABILITY OR FITNESS FOR A PARTICULAR PURPOSE. KURT MANUFACTURING COMPANY IS NOT RESPONSIBLE FOR THE IMPROPER USE OF ITS PRODUCTS. KURT SHALL NOT BE LIABLE FOR ANY DIRECT, INDIRECT, INCIDENTAL SPECIAL OR CONSEQUENTIAL DAMAGES, INCLUDING BUT NOT LIMITED TO, LOSS OF USE, REVENUE OR PROFIT.

KURT ASSUMES NO LIABILITY FOR, AND MAKES NO WARRANTY REGARDING ANY PURCHASE ITEMS WHERE THE MANUFACTURER OF SUCH ITEM EXTENDS A SEPARATE WARRANTY.



9445 East River Road NW
Minneapolis, MN 55433

Phone: 877-226-7823
Fax: 877-226-7828

kurtworkholding.com

Manual Revision: 01.26.2012



Prensa D688[®] AngLock[®] Ensamble de Base

Manual de instrucciones de operación



Tabla de contenido

Introducción.....	19
Instrucciones de instalación	20
Instrucciones de operación	21-23
D688 Lista De Piezas.....	24
D688 Dibujo Mecánico	25
Programa de mantenimiento	26-28
Sugerencias para la resolución de problemas	29



PRECAUCIÓN:

Se utiliza cuando la acción o falta de acción puede causar lesiones graves.

Vise Datos

Utilice esta opción para rellenar la información sobre el tornillo de banco para referencia rápida

Fecha de compra: _____ - _____ - _____

Orden de compra: _____

Adquirido en: _____

Fecha de entrega: _____

Serial No.: _____

Note:

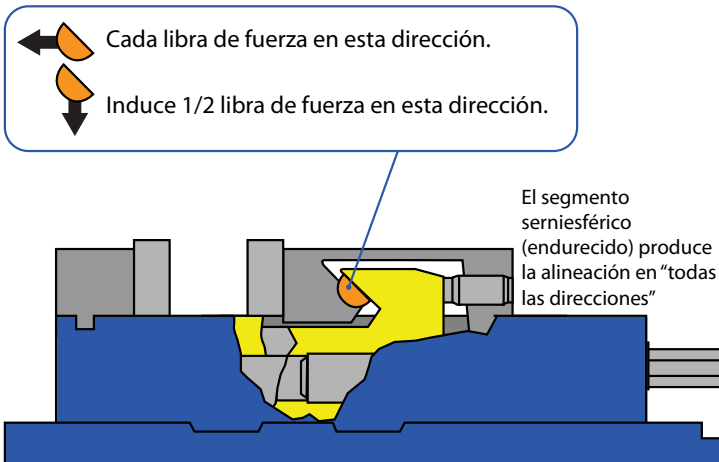
Make sure to register your warranty online at kurtworkholding.com

Introducción

Muchas gracias por comprar una prensa Kurt. Usted ha comprado una de las mejores prensas para mecanizado de la industria. La prensa AngLock™ Serie D tiene un diseño ampliamente comprobado. La extraordinaria exactitud de este producto es insuperable. Con el respaldo de una garantía de por vida, este producto durará mucho tiempo cuando se lo use y mantenga correctamente.

Las prensas Kurt Anglock™ originales están diseñadas para el sujetado de precisión en máquinas herramientas básicas como las fresadoras de tipo acodado (knee-type), esmeriladoras y centros de mecanizado. Se pueden utilizar en, sin limitarse a, operaciones de barrenado, taladrado, roscado, fresado y acabados de precisión.

El diseño patentado de Anglock™ permite a la mordaza móvil avanzar de tal manera que cada libra de fuerza de avance induzca ½ libra de fuerza hacia abajo a fin de minimizar el levantamiento de la mordaza y aumente la exactitud. Este efecto combinado con los cojinetes de agujas aumenta la presión de sujeción de la mordaza. Entre otras características se incluyen: Cuerpo de hierro dúctil de 80,000 psi de resistencia, carriles de prensa y placas de mordaza endurecidas, tornillo de avance semiendurecido.



Instrucciones de instalación

Ahora que ya tiene su nueva prensa Kurt Serie D, es el momento de comenzar a utilizarla. Usted verá que su nueva prensa viene con una manija giratoria Kurt y un manual de instrucciones suministrados en la caja de envío. La manija está diseñada específicamente para proporcionar el máximo par de torsión a su prensa. Le recomendamos instalar la prensa sobre una superficie plana y limpia. La superficie y la prensa deben estar exentas de virutas, suciedad o residuos de cualquier tipo. Si es necesario, se puede afinar la superficie de montaje. Si es necesario, limpie con disolvente u otro tipo de limpiador la parte inferior de la prensa.

Para reducir al mínimo la deformación por flexión de la plataforma de la prensa, fije la prensa Kurt a la mesa de la máquina, plataforma de carga, o subplaca por medio de las ranuras de sujeción integrales suministradas.

Se puede utilizar sujeción adicional, pero quizá no sea necesario. Cerciérese de aplicar buen juicio al fijar su prensa a la superficie de montaje. Cerciérese de que su prensa esté firmemente sujeta y que no se moverá al aplicar la presión de la máquina.

Fuerza de Sujeción de la Prensa

Par de torsión libras-pie	D688
10	1129
20	2242
30	3337
40	4148
50	5379
60	6310
70	6977
80	7968

Instrucciones de operación

Para el funcionamiento apropiado de la prensa introduzca el mango en el extremo hexagonal de la prensa. Gírelo a la derecha para apretar y a la izquierda para aflojar la prensa. Esta manija combinada con la cantidad apropiada de par de torsión le proporcionará la fuerza de sujeción necesaria para mecanizar sus piezas de trabajo. NO use ningún otro tipo de presión para abrir o cerrar su prensa.

No se recomienda el uso de extensiones de manijas, llaves neumáticas de impacto, barras de ruptura ni golpes de martillo ya que su uso anulará la garantía. Además, esto causará daño al cojinete de empuje y a las roscas del tornillo. Si necesita mayor fuerza de sujeción quizá deba actualizar la prensa y utilizar una de mayor capacidad.

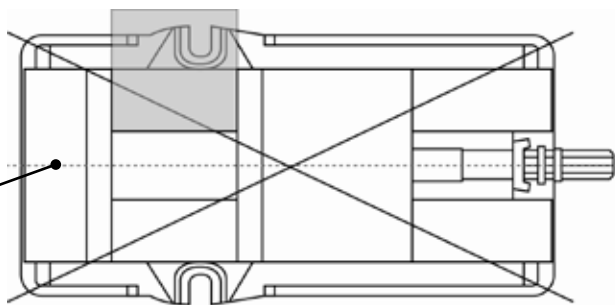
Para sujetar debidamente una pieza en su prensa Kurt le sugerimos colocar la pieza en el centro de las mordazas y apoyarla en los carriles de la prensa. La sujeción cargada en uno solo de los lados o por encima de las mordazas móviles y estacionarias puede resultar en el levantamiento de la mordaza o la pérdida de exactitud. *(Véase la Fig. 1 en la página siguiente).*

Si fuera necesario sujetar por uno solo de los lados, será **NECESARIO** equilibrar colocando un postizo en el otro lado. Al utilizar mordazas paralelas o escalonadas deberá seleccionar un tamaño que mantenga la parte inferior de la pieza sujeta en o debajo de la parte superior de las mordazas móviles y estacionarias. Siempre use placas de mordaza para la sujeción. Si no se utilizan placas de mordaza ocurrirán daños a la superficie de montaje de las mordazas móviles y estacionarias. Esto resultará en menor exactitud y repetitividad deficiente del prensado.

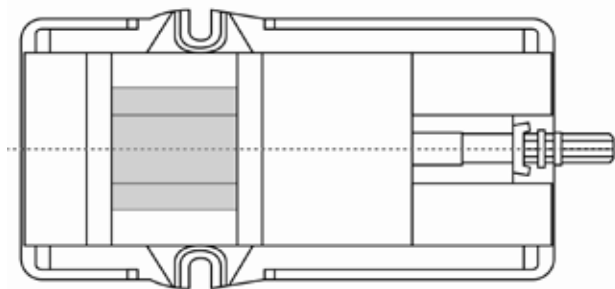
Fig.1

Sketch #2A
Parte incorrecta
de sujeción.

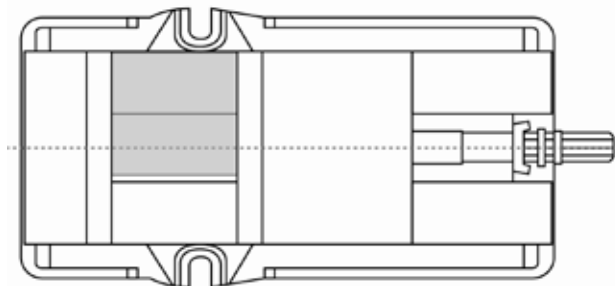
Central de
ancho Vise



Sketch #2B
Parte de amarre.

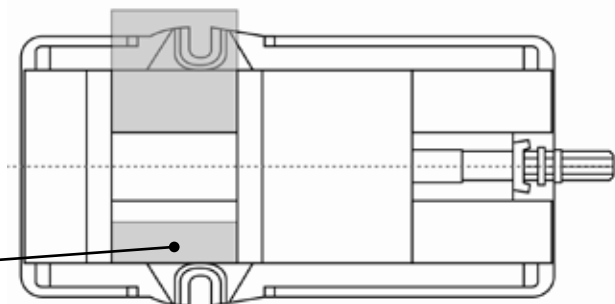


Sketch #2C
Parte de amarre.

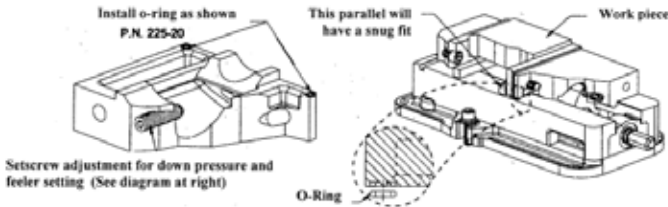


Sketch #2D
Parte de amarre.

No
mecanizadas
espaciador



Proper O-Ring installation and usage

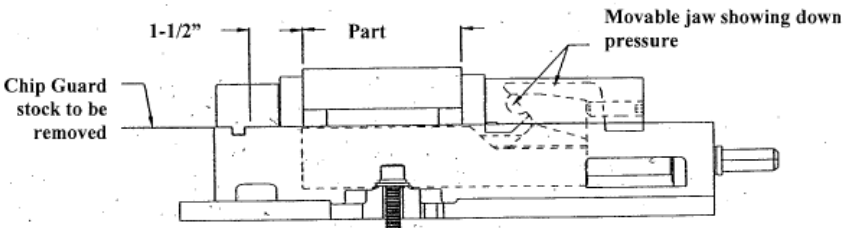


La mayoría de trabajos requieren un contacto ajustado entre las piezas de trabajo y la paralela (véase arriba). Esta opción que ofrece Kurt Manufacturing Company es ideal para ello. La instalación del arosello permitirá el movimiento necesario al trabajar con paralelas.

Nota: No recomendamos esta opción para el uso con mordazas escalonadas.

Instalación: Instale el arosello en la mordaza móvil según se muestra arriba en dos sitios. Apriete el tornillo de ajuste para un espacio de 0.002" debajo de la superficie frontal de la mordaza móvil, después la mordaza se apretará durante el prensado y proporcionará un movimiento descendente, jalando la pieza hacia la paralela de apoyo. Patente en trámite.

Proper Chip Guard installation and usage



Precaución:

El material del protector contra virutas que se muestra arriba se suministra para evitar el contacto de las virutas con el conjunto de tuerca y tornillo y se le deberá cortar y eliminar sus rebabas para cumplir los requisitos de seguridad de su aplicación. Este material del protector contra virutas deberá ser cortado a la medida para rellenar la abertura entre las placas de la mordaza.

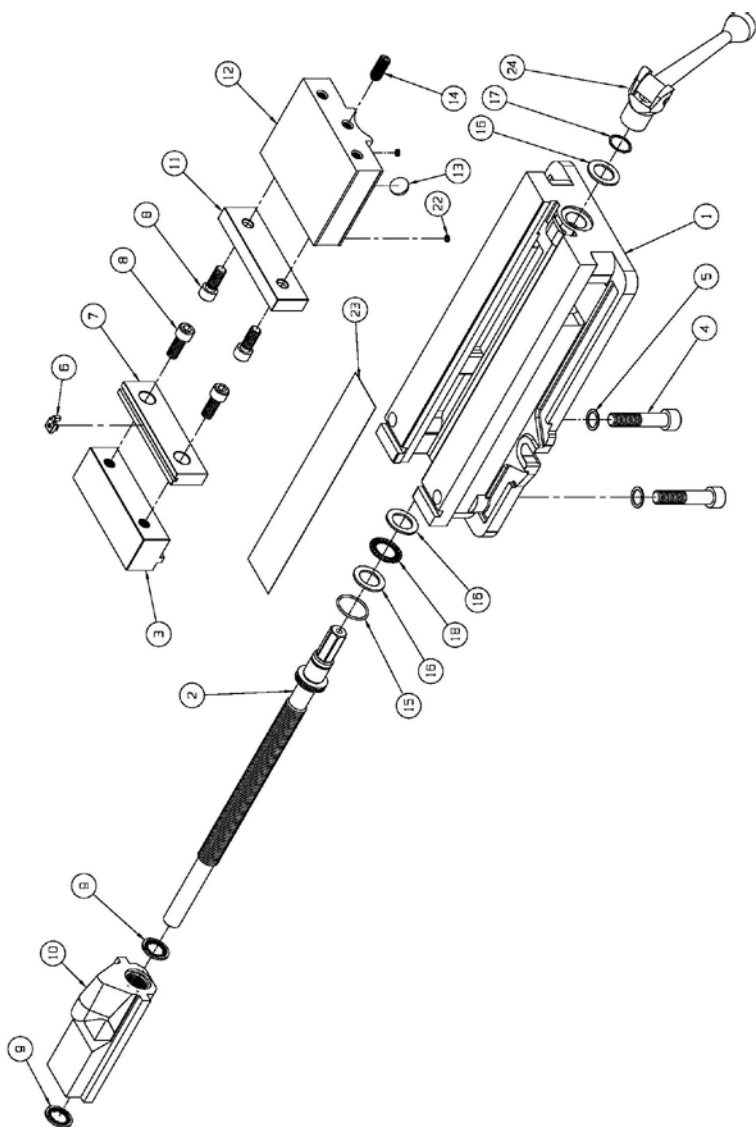
Por ejemplo: La pieza más 1 1/2 pulgadas = Longitud del material del protector contra Virutas.

Nota: Retire el material del protector contra virutas para levantar la prensa. Si las esquinas del material del protector contra virutas se dejan extendidas según se muestran arriba pueden causar lesiones.

D688 Lista De Piezas

ITEM#	DE PIEZA#	DESCRIPCIÓN	CAN.
1	D688-1	Cuerpo Mecanizado	1
2	D688-5	Tornillo	1
3	D675-6B	Mordaza Estacionaria	1
4	00-1498	SHCS, 5/8-11 UNRC x 3 lg.	2
5	06-3016	SERT L/W .669 x .945 x.051	2
6	WSRL46	Conjunto De Tope De Trabajo	1
7	D60-315	Placa De mordaza Ranurada	1
8	00-1419	SHCS, 1/2-13 UNRC	4
9	D688-211	Sello De Escobilla Interior	2
10	D688-3	Tuerca	1
11	D60-7	Placa De mordaza	1
12	D675-2	Mordaza Móvil	1
13	*D60-9	Segmento	1
14	01-3938	SHSS, 1/2-13 x 1-1/4	1
15	D675-68	Arosello De. Buna #124	1
16	*D60-42	Arandela De Cojinete De Empuje	3
17	*D675-217A	Anillo Retenedor En Espiral	1
18	*D60-41	Cojinete De Empuje	1
19	D688-102	Marbete De Identificación	1
20	07-0230	Tornillo De Impulsión Tipo u	2
21	D675-111	Etiqueta Del logotipo Kurt	2
22	225-20	Arosello De Poliuretano #00	2
23	DI600-249	Protector Contra Virutas (LARGO)	1
24	D60I-10A-SA	Conjunto De Manija	1
-	D60-72	Conjunto De Cojinete De Empuje	1
*D688-Kit Incluye.			

D688 Dibujo



Programa de mantenimiento

Para asegurar el funcionamiento correcto, es de suma importancia realizar el mantenimiento regular en su prensa Kurt. El mantenimiento erróneo resultará en el desempeño deficiente de la prensa y puede anular su garantía.

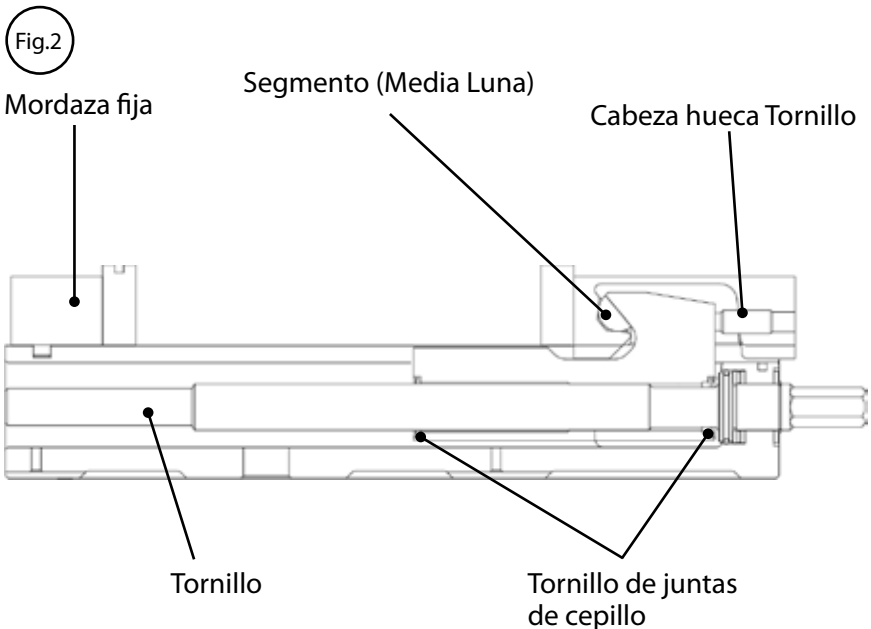
Diariamente / Semanalmente

1. Retire las virutas de la superficie de la prensa.
2. Inspeccione visualmente para verificar que no haya virutas, daños en los sellos y la limpieza en general.
3. Inspeccione visualmente para verificar que no haya depósitos de virutas y eliminarlos cuando sea necesario.
4. Seque con aire comprimido y aplique aceite inhibidor de corrosión a todas las superficies rectificadas de la prensa.

Mensualmente

1. Abra la prensa al máximo.
2. En la parte posterior de la mordaza móvil (extremo de la manija, orificio central) afloje el tornillo de ajuste de cabeza hueca hexagonal (aprox. 6 vueltas). Con la llave hexagonal (llave Allen) en la cabeza hueca del tornillo de ajuste levántela y muévala hacia adelante para pivotar la mordaza y sacarla de la plataforma de la prensa.
3. Deslice levemente la mordaza hacia la mordaza estacionaria y levántela para sacar la mordaza del "gancho" de la tuerca. Nota: Un segmento semiesférico (con la forma de $\frac{1}{2}$ bola de acero) se encuentra en el interior de la cavidad de la mordaza móvil y se puede caer al retirar la mordaza. Tenga cuidado de no aflojar ni colocar indebidamente el segmento semiesférico.
4. Voltee la mordaza móvil y limpie el interior de la cavidad. Además, limpie el segmento semiesférico.
5. Retire las virutas, limpie y aplique una capa liviana de aceite de máquina a la superficie maquinada de los componentes siguientes:
 - a. Conjunto de tuerca y tornillo (limpie las roscas expuestas en el tornillo)
 - b. Plataforma de la prensa (parte superior de los "carriles")
 - c. En el interior de la prensa entre los carriles centrales.

6. Para reensamblar la mordaza móvil, aplique una "bola" de grasa a la superficie inferior de la mordaza móvil en la cavidad. Coloque el segmento semiesférico en la cavidad correspondiente y empújelo hacia la grasa. La grasa retendrá en posición el segmento al voltear la mordaza para reinstalarla.
7. Inclíne la mordaza de manera que el frente de la misma (el lado con la placa de mordaza) quede sobre la plataforma de la prensa. Baje la mordaza para apoyarla sobre la plataforma de manera que el segmento haga contacto con la parte arqueada de la tuerca y el resto de la mordaza se apoye sobre la plataforma de la prensa.
8. Apriete el tornillo de ajuste para que haga contacto firme con la tuerca. Retroceda el tornillo de ajuste $\frac{1}{4}$ de vuelta (aprox.) nota: NO deje el tornillo de ajuste apretado firmemente contra la tuerca ya que esto puede provocar el funcionamiento erróneo. La mordaza móvil está diseñada para moverse levemente (pivotar de lado a lado) de manera que se obtenga el máximo contacto con la placa de la mordaza al prensar piezas que no tengan bordes paralelos, aserradas, o piezas fundidas.
9. Su prensa ya está lista para el uso. Abra y cierre su prensa para verificar el funcionamiento correcto. Centre en la prensa la pieza a sujetar y cierre la prensa. Para asegurar la sujeción correcta, sus piezas deben estar centradas de lado a lado para asegurar la sujeción correcta. (Véase la fig. 2 de abajo)



3 a 6 meses

1. Abra la prensa al máximo.
2. Retire el anillo de presión en espiral y la arandela del extremo hexagonal del tornillo de la prensa.
3. Deslice la mordaza móvil en dirección a la estacionaria.
4. Retire el conjunto del cojinete de empuje que consiste en (2) arandelas de empuje y (1) cojinete de empuje desde el rebajo avellanado en el extremo del cuerpo.
5. Limpie e inspeccione el rebajo avellanado, arandelas de presión y el cojinete de empuje.
6. Aplique grasa resistente al agua a la arandela de empuje (grasa para uso náutico)
7. Instale el conjunto del cojinete de empuje en el tornillo y deslice hacia atrás la mordaza móvil.
8. Instale la arandela y el anillo retenedor en espiral.
9. ¡Su prensa ya está lista para el uso!

Sugerencias para la resolución de problemas

La prensa Kurt Serie D funcionará prácticamente sin problemas durante muchos años. Si se le brinda el mantenimiento apropiado, este producto es indestructible. En algunos casos será necesario resolver algunos problemas. Use la información que se indica a continuación como ayuda en el proceso.

Problema: Mi prensa gira con dificultad.

Sugerencia: Como cualquier prensa nueva, el sello de la escobilla puede estar rígido. Deje transcurrir un período de funcionamiento inicial de la prensa.

Sugerencia: Como prensa con algún tiempo de uso, ésta podría estar obstruida con virutas y las roscas podrían estar atoradas. Limpie y engrase correctamente la prensa.

Problema: Mi prensa no gira en ninguna dirección.

Sugerencia: La prensa está atorada con residuos. Desensámblela y límpiela según sea necesario.

Problema: Mi prensa no conserva el margen de tolerancia.

Sugerencia: Quizá se esté elevando la mordaza debido a que la pieza sujeta está muy elevada o cargada a un lado de la mordaza. Baje la pieza en la mordaza de la prensa y sujete más material.



¡Muchas gracias!
Si tiene algún comentario o preguntas.

comuníquese con nosotros en
workholding@kurt.com
o
877-226-7823

Al igual que, Tweet, y suscribirse a nosotros!





LIFETIME WARRANTY

IRON CLAD™

On All Kurt® AngLock® Workholding Products

Todos los productos y piezas industriales para sujeción de piezas de trabajo de Kurt Manufacturing Company con las excepciones indicadas más adelante, están garantizados contra defectos de fabricación y materiales durante toda la vida útil del producto de la pieza. (La vida útil del producto se define como el punto en el tiempo en el que dicho producto ya no funciona debido al desgaste normal debido al uso). La falta de mantenimiento apropiado y/o el uso erróneo del producto o pieza que se haya gastado, abusado, calentado, desbastado o modificado de otra manera, utilizado para un propósito diferente al original, o utilizado de manera incoherente con las instrucciones respecto a su uso. La única obligación de Kurt Manufacturing Company, Inc. (Kurt) y la ÚNICA Y EXCLUSIVA COMPENSACIÓN del comprador en virtud del presente documento, habrá de estar limitada al reemplazo o reparación de cualquier producto o pieza de Kurt (realizada por un técnico autorizado de Kurt) siempre que sean devueltos al local comercial de Kurt Manufacturing Company, con los gastos de transporte, envío y porte postal pagados previamente, y que Kurt Manufacturing Company determine que están cubiertos por la garantía incluida en el presente documento.

LA GARANTÍA LIMITADA QUE SE DESCRIBE EN EL PRESENTE DOCUMENTO SE OTORGA EXPRESAMENTE EN VEZ DE CUALESQUIERA OTRAS GARANTÍAS EXPRESAS O IMPLÍCITAS, INCLUSO CUALQUIER GARANTÍA IMPLÍCITA DE COMERCIABILIDAD O IDONEIDAD PARA UN PROPÓSITO PARTICULAR. KURT MANUFACTURING COMPANY NO ES RESPONSABLE DEL USO INDEBIDO DE SUS PRODUCTOS. KURT NO HABRÁ DE SER RESPONSABLE POR DAÑOS DIRECTOS, INDIRECTOS, INCIDENTES, ESPECIALES O CONSECUENTES, INCLUIDOS ENTRE OTROS, LA PÉRDIDA DE USO, INGRESO O UTILIDADES.

KURT NO ASUME NINGUNA RESPONSABILIDAD POR, NI OTORGA GARANTÍA ALGUNA PARA, NINGÚN ARTÍCULO COMPRADO EN EL CUAL EL FABRICANTE DE DICHO ARTÍCULO EMITA UNA GARANTÍA POR SEPARADO.



9445 East River Road NW
Minneapolis, MN 55433

Phone: 877-226-7823
Fax: 877-226-7828

kurtworkholding.com

Manual Revision: 02.07.2012