

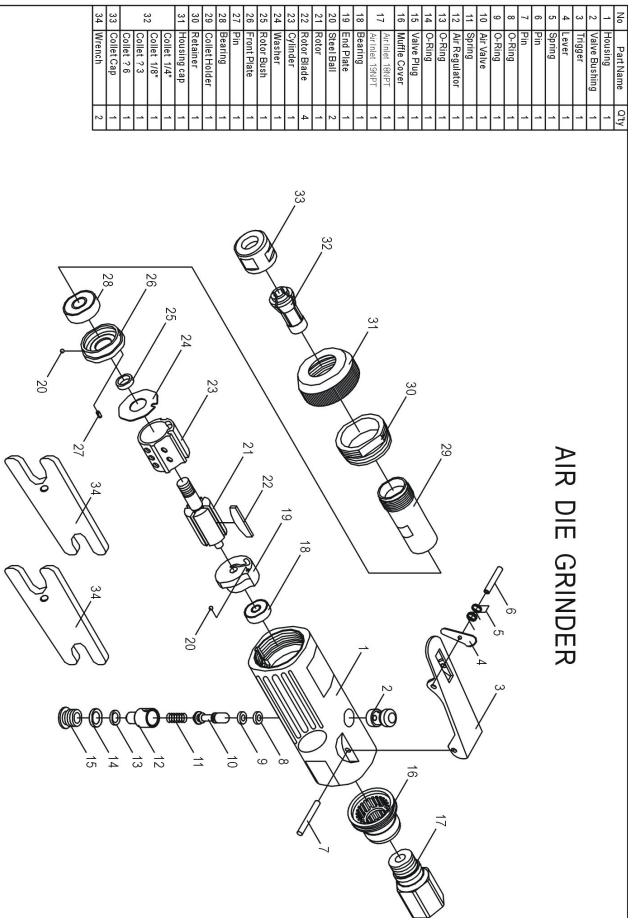
# Air Die Grinder



## Specifications

Free Speed.....	22,000rpm
Collect.....	1/4”(6.0mm)or 1/8”(3.0mm)
Air Exhaust.....	Rear
Air Consumption.....	4.0cfm
Length.....	6.89inch(175mm)
Weight.....	1.26lbs(0.57kgs)
Air Pressure.....	90psi(6.2bar)
Air Inlet.....	1/4”

## AIR DIE GRINDER



No.	Part Name	Qty
1	Housing	1
2	Valve Bushing	1
3	Trigger Lever	1
4	Lever	1
5	Spring	1
6	Pin	1
7	Pin	1
8	Casing	1
9	Casing	1
10	Air Valve	1
11	Spring	1
12	Air Regulator	1
13	Casing	1
14	Cover Ring	1
15	Cover Ring	1
16	Metric Coner	1
17	Adjustment Bolt	1
18	Bearing	1
19	End Plate	1
20	Steel Ball	2
21	Steel Ball	2
22	Rotor Blade	4
23	Grinder	1
24	Washer	1
25	Rotor Bush	1
26	Front Plate	1
27	Pin	1
28	Front Ring	1
29	Cover Bush	1
30	Retainer	1
31	Housing cap	1
32	Collar 1/8"	1
33	Collar 3/8"	1
34	Washer	2