

**PLEASE READ AND FOLLOW ALL WARNINGS**



**UT8702-1  
Mini Belt Sander**

**Read Operating Instructions**

Always become familiar with all the instructions and warnings before operating any power tool.

**Always Wear Approved Eye Protection**

Impact resistant eye protection should meet or exceed the standards as set forth in the United States ANSI Z87.1, Occupational and Educational Eye and Face Protection. Look for the marking Z87.1 on your eye protection to insure that it is an approved style. For further information, ANSI Z87.1, Occupational and Educational Eye and Face Protection, is available from the American National Standards Institute, Inc., 11 West 42nd Street, New York, NY 10036.

**Hearing Protection is Recommended**

Hearing protection should be used when the noise level exposure equals or exceeds an 8 hour time-weighted average sound level of 85 dBA. Process noise, reflective surfaces, other tools being operated nearby, all add to the noise level present in your work area. If you are unable to determine your noise level exposure, we recommend the use of hearing protection.

**Avoid Prolonged Exposure to Vibration**

Tools can vibrate during use. Prolonged exposure to vibration or very repetitive hand and arm movements, can cause injury. Stop using any tool if discomfort, tingling feeling or pain occurs. You should consult your physician before resuming use of the tool.

**90 PSIG Maximum**

This tool is designed to operate at

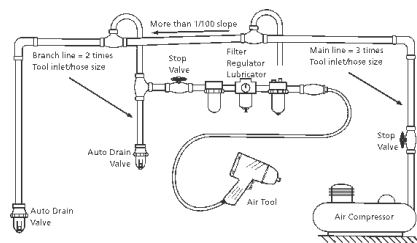
an air pressure of 90 pounds per square inch gauge pressure (90 PSIG) maximum, at the tool. Use of higher air pressure can, and may cause injury. Also, the use of higher air pressure places the internal components under loads and stresses they were not designed for, causing premature failure. The air supply should be clean and dry, preferably lubricated. For best results, drain the moisture from your compressor daily.

**WARNING:**

Some dust created by power sanding, sawing, grinding, drilling, and other construction activities contains chemicals known to cause cancer, birth defects or reproductive harm. Some examples of these chemicals are:

- Lead from lead-based paints
- Crystalline silica from bricks, cement and other masonry products
- Arsenic and chromium from chemically treated lumber

Your risk from these exposures varies, depending on how often you do this type of work. To reduce your exposure to these chemicals, work in a well-ventilated area and work with approved safety equipment such as those dust masks that are specially designed to filter out microscopic particles.



**UT8702-1 Belt Sander 3/8"x13" Belt**

- Head rotates 180 degrees for operating convenience and comfort
  - Variable speed throttle for positive control
  - Integral belt tracking keeps sanding belt in place
- Best for: Light grinding, sanding and deburring



**Safety Instructions**

The following instructions are furnished as general guidelines for use of your pneumatic tool. They cannot comprehensively cover all possible or conceivable uses of the subject tool. For additional information on the safe use of air tools, we advise you to obtain a copy of CAGI B186.1-2009 Safety Code for Portable Air tools from the following source:

COMPRESSED AIR AND GAS INSTITUTE  
1300 Sumner Avenue Cleveland, OH 44115-2851 PH: (216) 241 7333  
[www.cagi.org](http://www.cagi.org)

Or from Florida Pneumatic MFG Corp  
851 Jupiter Park Lane Jupiter, FL 33458 PH: (561) 744 9500

The use of the word "shall" in the following instructions, indicates that adherence to the particular requirement is necessary to conform to CAGI B186.1-2009.

**Tool Application and Usage**

Portable tools shall be used only for the purposes intended in their design and within the capacity for which they were intended and rated. It shall be the tool owner's and/or employer's responsibility to instruct each operator in the safe use of the tool. Tools shall

not be used without guards and safety devices as furnished by the manufacturer. Where an air tool is modified or altered, the modifier shall provide the safeguards to enable it to be safely used in the operations intended and to comply with any applicable provisions as contained in CAGI B186.1-2009.

**Tool Installation**

Pressure regulators shall be used to limit air pressure to the rated pressure where the supply pressure exceeds the tool's rated pressure. Air hoses and lines shall be relieved of compressed air before being disconnected or disjointed, unless there is automatic valve closing protection at the joint being separated. Synthetic lubricants which can cause deterioration of elastomer seals shall not be used in air systems of air tools.

**Tool Maintenance**

It shall be the tool owner's and/or employer's responsibility to assure that tools are maintained in a safe operating condition. Tool maintenance and repair shall be performed by authorized, trained, competent personnel. Tools shall be disconnected from their compressed air supply before repairs are attempted. Repairs shall be consistent with the manufacturer's recommended procedures. Tool, hoses and fittings shall be replaced if unsuitable for safe operation. It shall be the tool owner's and/or employer's responsibility to keep required rating markings and warnings on the tool in legible condition.

Universal Tool a Division of Florida Pneumatic Manufacturing Corporation  
851 Jupiter Park Lane, Jupiter, Florida 33458  
Toll Free 1-800-327-9403

*Read these instructions carefully before attempting to install, operate or service this Florida Pneumatic product. Failure to comply with the instructions could result in personal injury and/or property damage! Retain these instructions for future reference.*



### Specifications

Belt Size	3/8 x 13"
Motor	.25 HP
Speed	20,000 RPM
Exhaust	Side
Weight	1.8 lbs.
Length	11-in.
Rec. Air Pressure	90 psi
Air Inlet	1/4" NPT
Rec. Hose Size	3/8" I.D.
Avg. Air Consp.	4.5

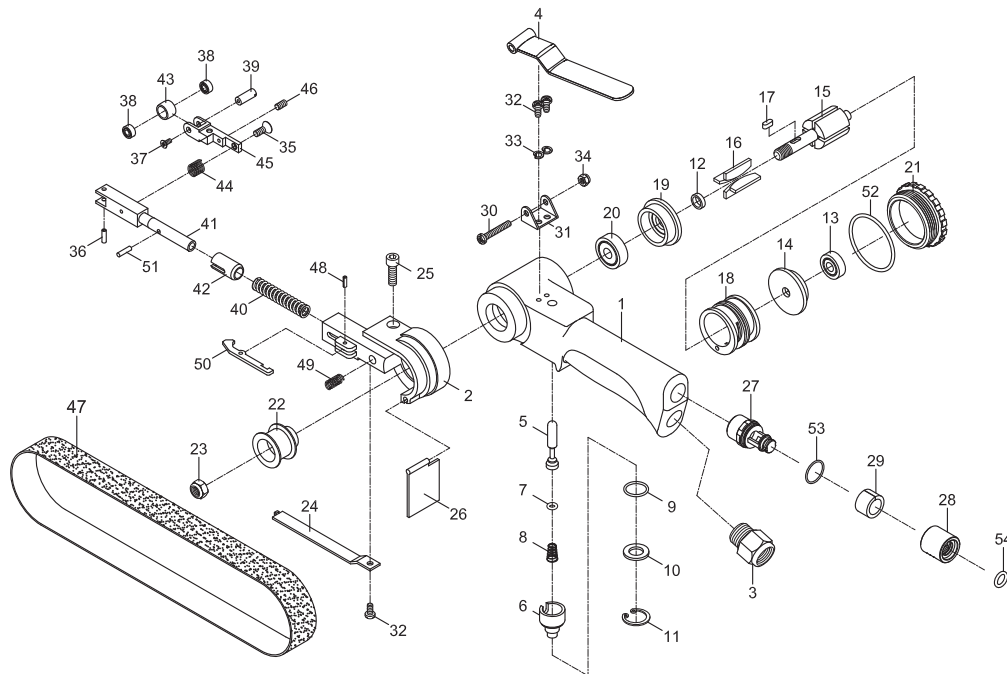


**WARNING:** This product contains lead, a chemical known to the State of California to cause cancer and birth defects or other reproductive harm. **Wash hands after handling.**



**WARNING:** This product contains chemicals known to the State of California to cause cancer and birth defects or other reproductive harm. **Wash hands after handling.**

REF.	PART #	DESCRIPTION	Q'TY	REF.	PART #	DESCRIPTION	Q'TY
1	961001	Housing	1	28	966-6133C24	Exhaust Sleeve	1
2	961002	Guard Body	1	29	966-6133C25	Muffler	1
3	962003-1	Air Inlet	1	30	962030-1	Screw	1
4	962004-1	Lever	1	31	962031-1	Lever Support	1
5	962005-1	Valve Stem	1	32	962032-1	Screw	3
6	962006-1	Adjust Valve	1	33	940147	Spring Washer	2
7	930107	O-Ring	1	34	962034-1	Nut	1
8	962008-1	Spring	1	35	961035	Screw	1
9	962009-1	O-Ring	1	36	961036	Spring Pin	1
10	962010-1	Spacer	1	37	961037	Screw	1
11	962011-1	Retaining Ring	1	38	9061038	Ball Bearing	2
12	961012-1	Spacer	1	39	961039	Idle Pulley Shaft	1
13	9051825	Ball Bearing	1	40	961040	Spring	1
14	961014	Rear End Plate	1	41	961041	Tension Bar	1
15	961015	Rotor	1	42	961042	Bushing	1
16	961016	Rotor Blade	4	43	961043	Idle Pulley	1
17	961017	Key	1	44	961044	Spring	1
18	961018	Cylinder	1	45	961045	Bracket	1
19	961019	Front End Plate	1	46	961046	Screw	1
20	9061020	Ball Bearing	1	47	961060	Grinding Belt	1
21	961021	Cap	1	48	961048	Spring Pin	1
22	961222	Drive Pulley	1	49	961049	Spring	1
23	963042	Hexagon Nut	1	50	961050	Safety Lever	1
24	961024	Shoe	1	51	961249	Lock Pin	1
25	940343	Screw	1	53	9812E12	O-Ring	1
26	961026	Dust Cover	1	54	982209	O-Ring	1
27	966-6133C23	Exhaust Shaft	1	55	976010	O-Ring	1



### Limited Warranty

Universal Tool warrants its tools to be free from defects in material and workmanship for one year from the date of purchase. This warranty does not apply to tools which have been abused, misused, modified or repaired by someone other than Universal Tool or its authorized service centers. If a Universal Tool proves defective in material or workmanship within one year after purchase, return it to any authorized service center or to Universal Tool, freight prepaid. Please enclose your name, address and adequate proof of purchase date with a brief description of the defect. Universal Tool will, at its option, repair or replace defective tools, free of charge. Repairs or replacements are warranted as described above for the remainder of the warranty period. Universal Tool's sole liability and your exclusive remedy under this warranty is limited to repair or replacement of the defective tool. There are no other warranties expressed or implied and Universal Tool shall not be liable for incidental, consequential or special damages, or any other damages, costs or expense of repair or replacement as described above.