



Universal Tool

MODEL: UT8789-5-332SV

5" Orbital Palm Sander

Self Vac

Operating Instructions, Parts List & Warranty

IMPORTANT! Read carefully before operating this tool.

Failure to operate any power tool properly can result in personal injury and/or property damage!



7.2.2.3 GENERAL SAFETY RULES

- Multiple hazards. Read and understand the safety instructions before installing, operating, repairing, maintaining, changing accessories on, or working near the power tool. Failure to do so can result in serious bodily injury.
- Only qualified and trained operators should install, adjust or use the power tool.
- Do not modify this power tool. Modifications may reduce the effectiveness of safety measures and increase the risks to the operator.
- Do not discard the safety instructions – give them to the operator.
- Do not use a tool if the tool has been damaged.
- Warnings shall be given against the risk of explosion or fire due to the material being processed.
- Warnings shall be given against the risk of cutting.



7.2.2.4 PROJECTILE HAZARDS

- Failure of the work piece, of accessories, or even of the tool itself may generate high velocity projectiles.
- Always wear impact-resistant eye protection during operation of the tool. The grade of protection required should be assessed for each use.



7.2.2.5 ENTANGLEMENT HAZARDS

- Entanglement hazard – choking, scalping and/or lacerations can occur if neck ware, hair or gloves are not kept away from tool and accessories.

7.2.2.6 OPERATING HAZARDS

- Use of the tool may expose the operator's hands to hazards including crushing, impacts, cuts and abrasions and heat. Wear suitable gloves to protect hands.
- Operators and maintenance personnel must be physically able to handle the bulk, weight and power of the tool.
- Hold the tool correctly: be ready to counteract normal or sudden movements – have both hands available.
- Maintain a balanced body position and secure footing.
- Keep hands away from rotating or reciprocation accessories, spindles or other moving parts.
- Release the start and stop device in the case of an interruption of the energy supply
- Use only lubricants recommended by the manufacturer.



7.2.2.7 REPETITIVE MOTIONS HAZARDS

- When using a power tool, you may experience discomfort in your hands, arms, shoulders, neck, or other parts of your body.
- While using a power tool, position your body in a comfortable posture. Maintain secure footing and avoid awkward or off-balanced postures. Changing your posture during extended tasks may help avoid discomfort and fatigue.
- If you experience symptoms such as persistent or recurring discomfort, pain, throbbing, aching, tingling, numbness, burning sensation, or stiffness, do not ignore these warning signs. Promptly tell your employer and consult a qualified health professional.

7.2.2.8 ACCESSORY HAZARDS

- Only use sizes and types of accessories and consumables that are recommended by the power tool manufacturer.



7.2.2.9 WORKPLACE HAZARDS

- Slips, trips and falls are major causes of workplace injury. Be aware of slippery surfaces caused by use of the tool and also of trip hazards caused by the air line or hydraulic hose.
- Proceed with care in unfamiliar surroundings. Hidden hazards may exist, such as electricity or other utility lines.
- This power tool is not intended for use in potentially explosive atmospheres and is not insulated from coming into contact with electric power.
- Make sure there are no electrical cables, gas pipes etc. that could cause a hazard if damaged by use of the tool.



7.2.2.10 DUST AND FUME HAZARDS

- Dust from some work processes can cause cancer, birth defects or other respiratory diseases. Risk assessment of these hazards and implementation of appropriate controls is essential.

- If the pneumatic tool is used in a dust filled environment exhaust air can cause a dust hazard.
- Dusts and fumes generated when using power tools can cause ill health (for example: cancer, birth defects, asthma and/or dermatitis); risk assessment of these hazards and implementation of appropriate controls of is essential.
- Risk assessment should include dust created by the use of the tool and the potential for disturbing existing dust.
- Operate and maintain the power tool as recommended in these instructions, to minimize dust or fume emissions
- Direct the exhaust so as to minimized disturbance of dust in a dust filled environment
- Where dusts or fumes are created, the priority shall be to control them at the point of emission.
- All integral features or accessories for the collection, extraction or suppression of airborne dust or fumes should be correctly used and maintained in accordance with the manufacturer's instructions.
- Select, maintain and replace the consumable/inserted tool as recommended in these instructions, to prevent an unnecessary increase in dust or fumes.
- Use respiratory protection as instructed by your employer or as required by occupational health and safety regulations;



7.2.2.11 NOISE HAZARDS

- Unprotected exposure to high noise levels can cause permanent, disabling, hearing loss and other problems such as tinnitus (ringing, buzzing, whistling or humming in the ears).
- Risk assessment of these hazards and implementation of appropriate controls of is essential.
- Appropriate controls to reduce the risk may include actions such as damping materials to prevent work pieces from 'ringing'
- Use hearing protection as instructed by your employer or as required by occupational health and safety regulations;
- Operate and maintain the power tool as recommended in these instructions, to prevent an unnecessary increase in noise levels;
- Select, maintain and replace the consumable/inserted tool as recommended in these instructions, to prevent an unnecessary increase in noise.



7.2.2.12 VIBRATION HAZARDS

- Exposure to vibration can cause disabling damage to the nerves and blood supply of the hands and arms;
- Wear warm clothing when working in cold conditions and keep your hands warm and dry.
- If you experience numbness, tingling, pain or whitening of the skin in your fingers or hands, stop using the power tool, and tell your employer. You should also seek medical advice from a qualified occupational health professional.
- Operate and maintain the power tool as recommended in these instructions, to prevent an unnecessary increase in vibration;
- Select, maintain and replace the consumable/inserted tool as recommended in these instructions, to prevent an unnecessary increase in vibration levels;
- Support the weight of the tool in a stand, tensioner or balancer, because the operator can then use a lighter grip to support the tool.
- Hold the tool with a light but safe grip taking account of the required hand reaction forces, because the risk from vibration is generally greater when the grip force is higher.

7.2.3 ADDITIONAL SAFETY INSTRUCTIONS FOR PNEUMATIC POWER TOOLS - AIR SUPPLY & CONNECTION HAZARDS

- Air under pressure can cause severe injury.
- Never direct air at yourself or anyone else.
- Whipping hoses can cause severe injury. Always check for damaged or loose hoses and fittings.
- Whenever universal twist couplings (claw couplings) are used, lock pins must be installed.
- Do not exceed the maximum air pressure stated on the tool.
- Use whip check safety cables to safeguard against possible hose to tool and hose to hose connection failure.
- Never carry an air tool by the hose.

Important Warnings - Sanders & Polishers

- 1. Eye protection, safety gloves and safety aprons must always be worn when operating a sander or polisher.
- 2. Never adjust the sander or polisher or change the backing pad, sanding disc, sanding belt or polishing bonnet unless the air supply and air hose is disconnected from the tool.
- 3. Only use backing pads and polishing backing pads that have a rated speed then same as the sander or polisher or higher.
- 4. Never attempt to modify or adapt a sander or polisher for use with a grinding wheel or cut-off wheel or wire brush.
- 5. Only personnel trained in the correct methods to change pads, sanding discs, sanding belts and polishing bonnets should conduct these operations.



WARNING: This product can expose you to chemicals including lead, which are known to the State of California to cause cancer and birth defects or other reproductive harm. For more information go to www.P65Warnings.ca.gov



Vibration Level (m/sec²): 0.8

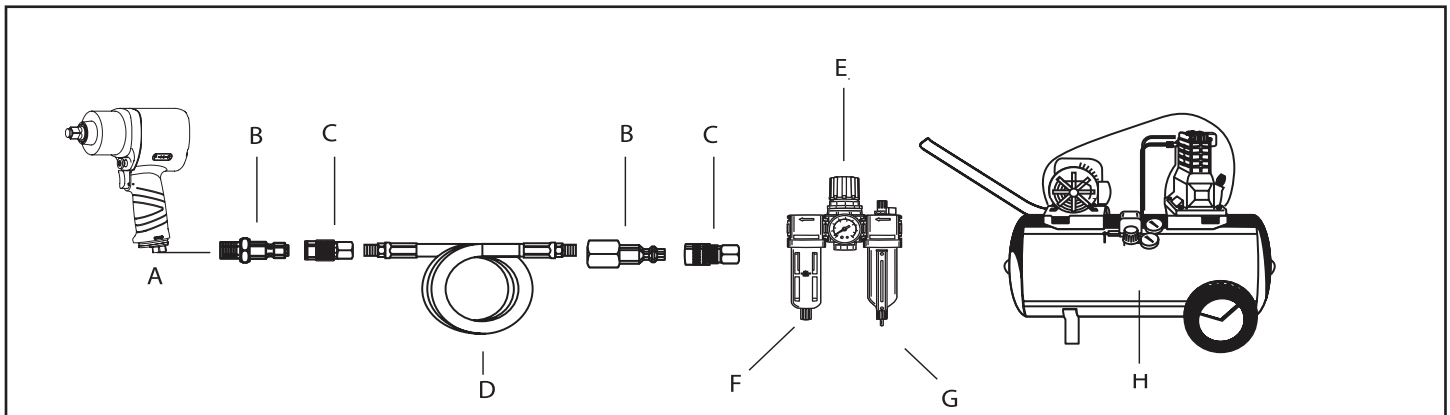


Noise Level (dBA): 75

UT Model No.	Description	Pad Size (in)	Orbit mm (in.)	Pad Type	Free Speed (RPM)	Weight (lbs)	Length w/pad (in)	Height w/pad (in)	Air Inlet (NPT)	Rec. Hose Size
UT8789-5-332SV	ORBITAL SELF VAC PALM SANDER	5	2.5mm (3/32)	PSA	12,000	2.0	7.9	4.3	1/4"	3/8"

Air Supply

Tools of this class operate on a wide range of air pressure. It is recommended that air pressure of these tools measures 90 PSI at the tool while running free. Higher pressure and unclean air will shorten the tool's life because of faster wear and may create a hazardous condition and void the warranty. Water in the air line will cause damage to the tool. Drain the air tank daily. Clean the air inlet filter screen on at least a weekly schedule. The recommended hookup procedure can be viewed in the illustration below. The air inlet, used for connecting air supply, has standard 1/4" NPT American Thread. Line pressure should be increased to compensate for unusually long air hoses (over 25 feet). Minimum hose diameter should be 3/8" I.D. and fittings should have the same inside dimensions.



Warranty

Limited Warranty: Universal Tool warrants its tools to be free from defects in material and workmanship for one year from the date of purchase. This warranty does not apply to tools which have been abused, misused, modified or repaired by someone other than Universal Tool or its authorized service centers. If a UT tool proves defective in material or workmanship within one year after purchase, return it to any authorized service center or Universal Tool freight prepaid. Please enclose your name, address and adequate proof of date of purchase and a short description of the defect. Universal Tool will, at its option, repair or replace defective tools free of charge. Repairs or replacements are warranted as described above for the remainder of the original warranty period. Universal Tool's sole liability and your exclusive remedy under this warranty is limited to repair or replacement of the defective tool.

There are no other warranties expressed or implied and Universal Tool shall not be liable for incidental, consequential or special damages, or any other damages, costs or expenses excepting only the cost or expense of repair or replacement as described above.

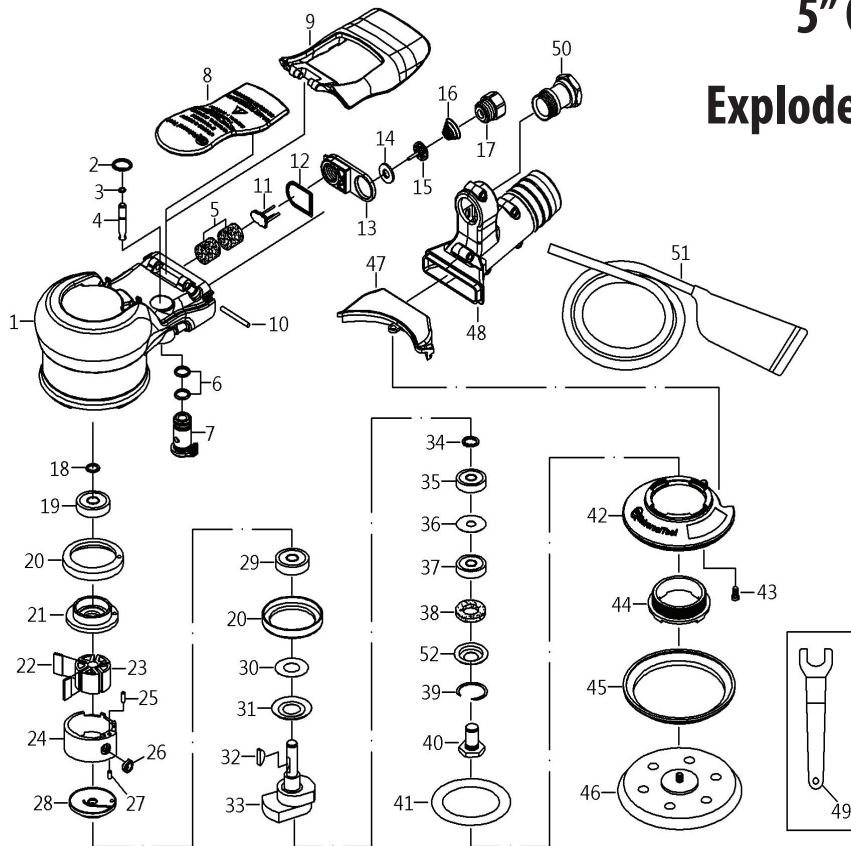


Universal Tool

MODEL: UT8789-5-332SV

5" Orbital Palm Sander

Exploded View & Parts List



Ref #	Part Number	Description	Qty
01	90B10601	HOUSING	1
02	90B-03	SNAP RING	1
03	90B-04	O-RING	1
04	90B10604	VALVE STEM	1
05	9SX-11	SILENCER	2
06	90B-02	O-RING	2
07	9ST-OB10607	REGULATOR	1
08	90B10608	LEVER	1
09	90B10609	HOUSING COVER	1
10	90B10610	SPRING PIN	1
11	90B10611	MUFFLER	1
12	90B10612	PACKING	1
13	90B10613	EXHAUST SLEEVE	1
14	90B-06	WASHER	1
15	9STOB-08	VALVE	1
16	90B-09-1	SPRING	1
17	90B10617	AIR INLET (NPT)	1
18	970410	SNAP RING	1
19	970048A	BEARING	1
20	90B-16.2	RUBBER BUSHING	2
21	9STOB-19	REAR PLATE	1
22	90B-20-2	ROTOR BLADE	5
23	9STOB-21	ROTOR	1
24	9ST246021A	CYLINDER	1
25	9ST246014	PIN	1
26	9ST241624	BUSHING	1

Ref #	Part Number	Description	Qty.
27	981326	PIN	1
28	9STOB-25	FRONT PLATE	1
29	90B-26A	BEARING	1
30	90B-28	WASHER	1
31	9E-29	WASHER	1
32	9ST70407	ROTOR KEY	1
33	9ST25-100-5	MOTOR SHAFT BALANCER	1
34	90B-30	SNAP RING	1
35	90B-31.3	BEARING	1
36	90B-23.2A	SHIM	1
37	90B-31.4	BEARING (6001)	1
38	9RS0132A	DUSTPROOF WASHER	1
39	90B-33	SNAP RING	1
40	9S560-34	SHAFT	1
41	90B-16.1	WASHER	1
42	90B10642-2	HOUSING COVER	1
43	90B10643	SCREW	1
44	90B10644	LOCK NUT	1
45	90B10645	SHROUD	1
46	9BTOB-38-5P5Y	PAD PSA	1
47	90B10647-1	DUST HOSE	1
48	9ST-OB10648S	VACUUM ADAPTER	1
49	9BTOB-39-22	STOP SPANNER	1
50	90B106S50	MUFFLER BODY	1
51	9STOB-46-2-UT	RUBBER HOSE & BAG	1
52	9RS0133	WASHER	1



Universal Tool

Questions, problems, missing parts?

US

Call Customer Service
8 a.m.-5 p.m., EST, Monday-Friday

1-800-356-3392

**Universal Tool a Division of
Florida Pneumatic Mfg. Corp.**
851 Jupiter Park Lane, Jupiter FL 33458
sales@florida-pneumatic.com
www.Florida-Pneumatic.com

UK

Call Customer Service
0900-1700 Monday-Friday

01494-883300

Universal Air Tools Company Ltd.
Unit 8 Lane End Industrial Park
High Wycombe, HP14 3BY, UK

sales@universal.co.uk
www.universal.co.uk

Retain this manual for future use.