

INSTRUCTION MANUAL

2FS



**KALAMAZOO
INDUSTRIES, INC.**

6856 East K Avenue

Kalamazoo, MI 49048

269-382-2050 PH

269-382-0790 FAX

www.kalamazooindustries.com

CE

1SM M8-02

WARNING!

TO REDUCE THE RISK OF FIRE OR SHOCK HAZARD,
DO NOT EXPOSE THIS EQUIPMENT TO RAIN, ANY LIQUID OR MOISTURE.

INSPECTION

If these goods are damaged in transit, the DELIVERING TRANSPORTATION COMPANY is required by law to make notation of damages on the freight bill. If in your opinion, there may be concealed damage, they are required to make an inspection after goods are unpacked. Transportation rates are made in proportion to damage. Therefore, the carrier and NOT the shipper should be charged with any loss or damage. Any claim should be filed with the delivering Transportation Company. PLEASE DO NOT RETURN GOODS TO US WITHOUT OUR RGA NUMBER AND SHIPPING INSTRUCTIONS.

Read Operating Instructions and Precautions before using this equipment

OPERATING INSTRUCTIONS

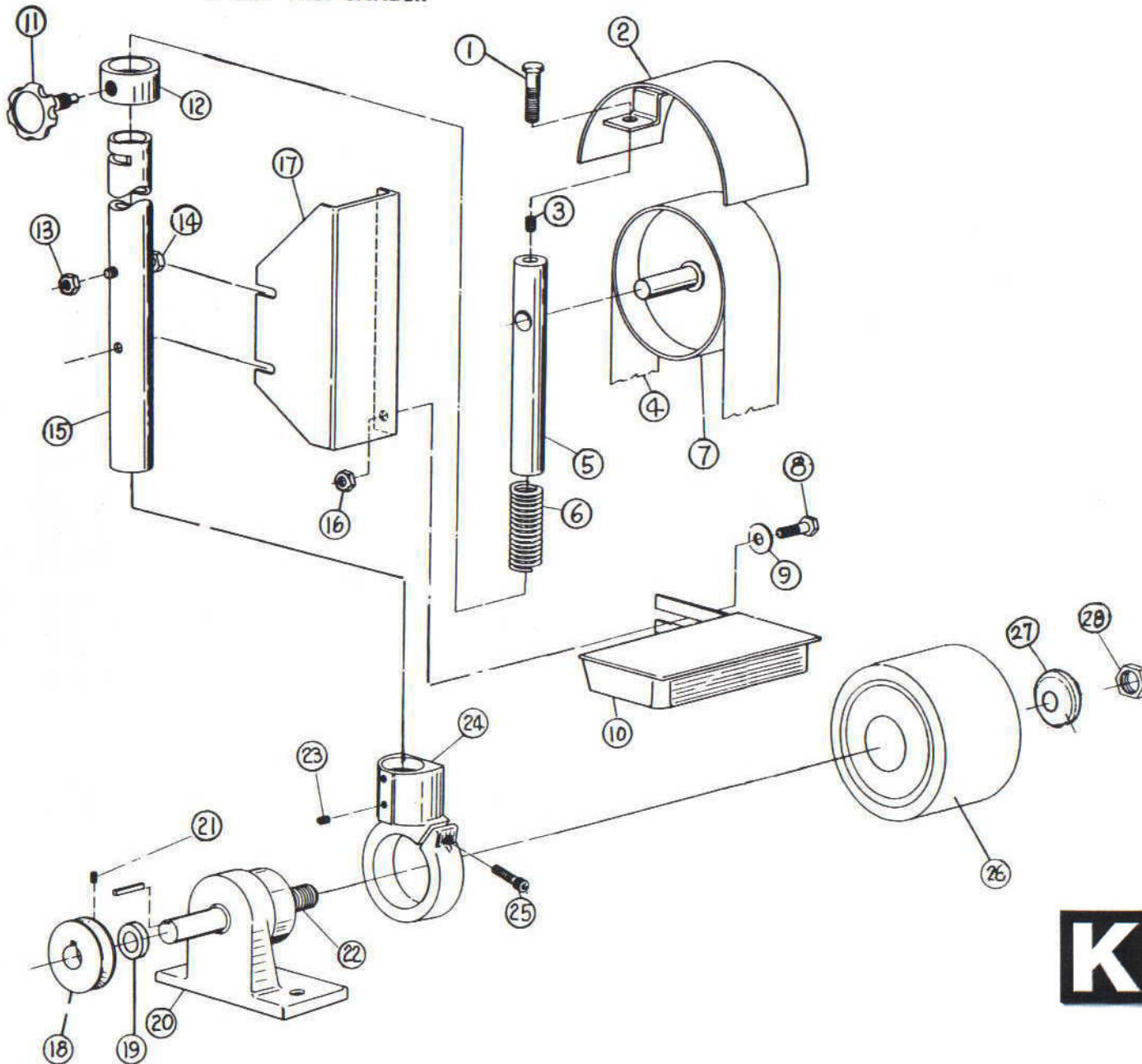
1. Mount bracket base #20. Mount your motor behind, below, etc.. Connect V belt to motor and sander pulley and tension per your design. Loosen cap screw #25 on bracket #24 to adjust angle of sanding head.
2. Track sanding belt, loosen tracking knob #11, spin sanding belt manually to see where the belt goes, grab tracking knob and twist tension bar #5 to center or "track" the sanding belt. Re-tighten the tracking knob to maintain tracking.
3. Keep work table as close to the belt as possible to avoid pinching workpiece AND fingers between the belt and platen.
4. See below for sanding belt changing.



loosen tracking knob, pull down
on de-tensioner to depress spring,
change sanding belt. Flip lever back
over to store.

KALAMAZOO INDUSTRIES, INC. 6856 East K Ave. Kalamazoo, MI 49048
269-382-2050 PH 269-382-0790 FAX www.kalamazooindustries.com

2"x48" BELT SANDER



PARTS SHEET FOR MODEL 2FS

ITEM	PART #	DESCRIPTION	QTY
1.		5/16-18x1/2 H.H.C.S.	1
2.	342-009	Belt Guard	1
3.		5/16-18x3/8 S.S.S.	1
4.		2 x 48 Belt	1
5.	645-008	Tension Rod	1
6.	697-013	Tension Spring	1
7.	936-003S	Idler Wheel w/brgs	1
8.		1/4-20x1/2 H.H.C.S.	1
9.		1/4 Washer	1
10.	829-004	Tilt Table	1
11.	441-011	Tracking Knob	1
12.	123-004	Tracking Collar	1
13.		5/16-18 H.H. Nut	2
14.		5/16-18 H.H.C.S.	2
15.	Sold w/291-009	Tube Support	1
16.		1/4-20 H.H. Nut	1
17.	550-006	Platen	1
18.	560-004	Pulley	1
19.	044-007	K10 Bearing	2
20.	041-011	Bracket Base	1
21.		5/16-18x1/4 S.S.S.	1
22.	701-009	Spindle w/flange	1
23.		1/4-20x1/4 S.S.S.	2
24.	041-010	Bracket	1
25.		5/16-18x1 S.H.C.S.	1
26.	936-004	Drive Wheel	1
27.		Loose Flange	1
28.		5/8-18 Hex Nut	1

291-009 Frame Assembly

KI KALAMAZOO INDUSTRIES, INC.

6856 East K Avenue
 Kalamazoo, MI 49048
 269-382-2050 PH
 269-382-0790 FAX
www.kalamazooindustries.com

WARRANTY

All products are guaranteed for a period of one year to the original purchaser, against defects in material workmanship under normal use. Electric motors are warranted by the motor manufacturer and will be repaired by the nearest motor repair station. If non-repairable, they will be replaced by Kalamazoo Industries. Please call for instructions 269-382-2050.

RETURN POLICY

Authorization must be obtained before returning merchandise. Please call our customer service department for a return authorization number at 269-382-2050. Please include with your return a copy of your invoice or packing slip. Materials must be sent back prepaid. (Unless otherwise indicated). All returns will be subject to a 10% restocking charge. No returns will be accepted after one year of invoice date.

BELT SANDER SAFETY

- READ THE OPERATING INSTRUCTIONS BEFORE RUNNING MACHINE.
- ALWAYS WEAR SAFETY GLASSES OR A FULL FACE SHIELD FOR PROTECTION.
- KEEPS HANDS CLEAR OF THE SANDING AREA.
- NEVER WEAR GLOVES OR LOOSE FITTING CLOTHES WHEN OPERATING THIS MACHINE.
- ALWAYS KEEP HAIR TIED BACK OR COVERED.
- LET MACHINE ROTATION COME TO A FULL STOP BEFORE CHANGING BELT.
- KEEP SAFETY GUARDS IN PLACE. DO NOT ALTER GUARDS OR MACHINE IN ANY WAY. ANY ALTERATIONS TO GUARDS OR MACHINE COULD CAUSE SERIOUS INJURY.
- ALL BELT SANDERS SHOULD BE OPERATED IN A WELL-VENTILATED AREA. THE DUST CREATED WHEN SOME MATERIALS ARE SANDED CAN BE HARMFUL. DUST MASKS ARE RECOMMENDED AS A PRACTICAL MEANS OF MINIMIZING DUST INHALATION. FUMES FROM OTHER SOURCES CAN ALSO CAUSE FIRES WHEN IN CONTACT WITH SANDING SPARKS.
- SPARKS CREATED BY SANDING SHOULD BE DIRECTED DOWNWARD AND AWAY FROM THE FACE AND BODY. DO NOT GRIND NEAR FLAMMABLE MATERIAL.
- ELECTRIC SANDING MACHINES ARE NOT INTENDED FOR USE IN OR NEAR WATER. THIS INCLUDES AN OPERATOR STANDING ON A WET FLOOR OR WORKING AROUND CONTAINERS OF WATER OR OTHER CONDUCTIVE LIQUIDS.

KALAMAZOO INDUSTRIES, INC.
6856 East K Avenue
Kalamazoo, MI 49048
269-382-2050 PH
269-382-0790 FAX
www.kalamazooindustries.com



Made in USA