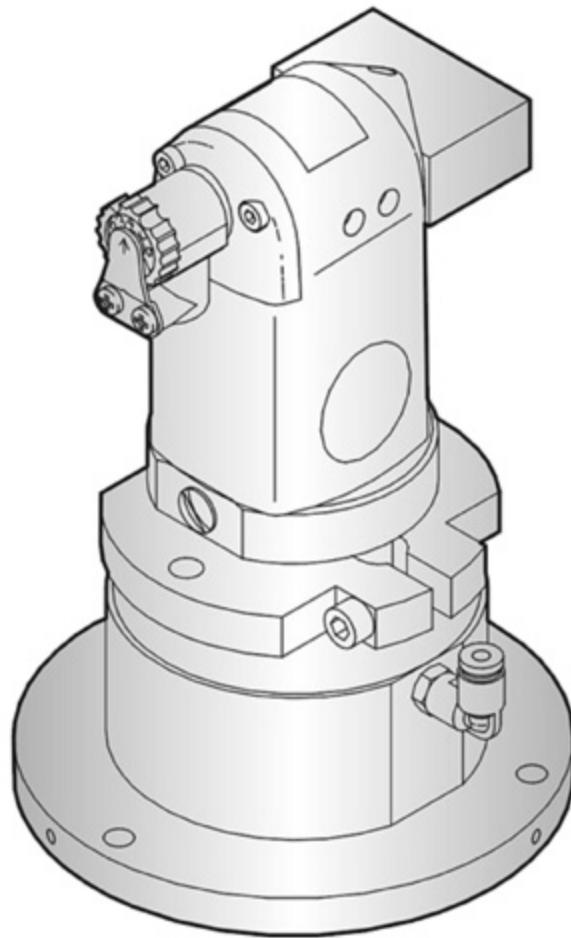




AIR POWER DRAWBAR



ITEM NO.88-000-031
MODEL NO.ADB051

Version date: 05/15/2014

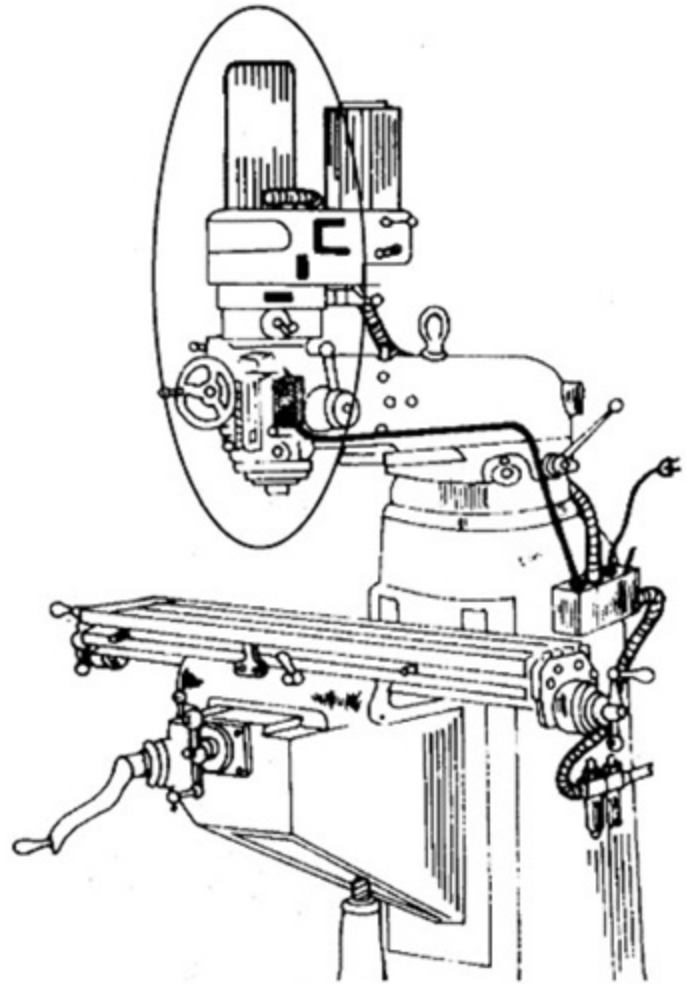
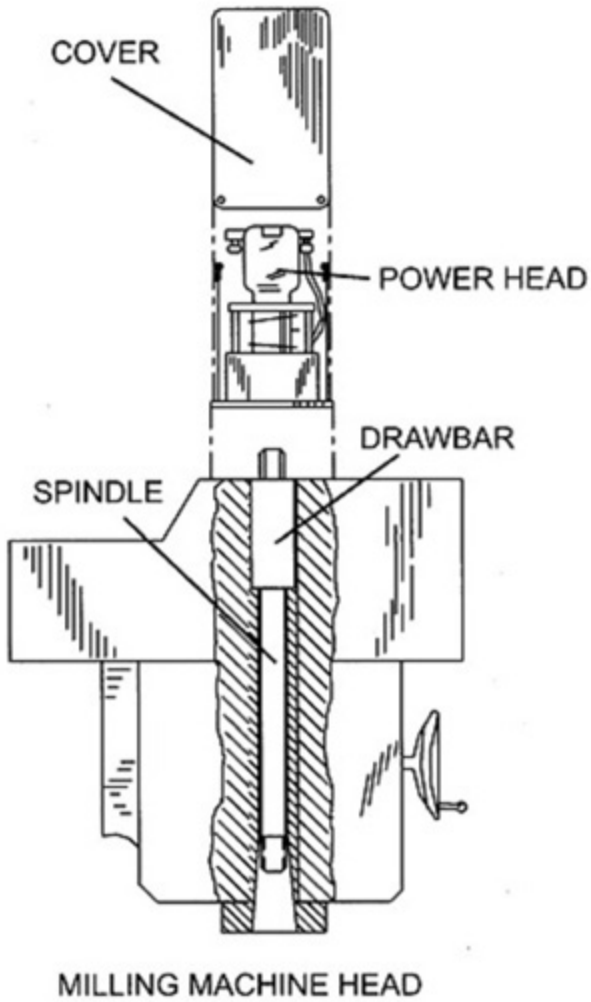
Please Read These Instructions Before Operating Your Machine
Contents Subject To Change Without Notice

CONTENTS

Specifications.....	1
Warning.....	2
How To Install The Power Drawbar & Accessory.....	3
Schematic Diagram Of Parts.....	4
Schematic Diagram Of Accessory.....	5
Parts List.....	7
Parts List For Accessory.....	8

CONGRATULATIONS ON YOUR NEW PURCHASE OF OUR AIR POWER DRAWBAR

Please read this manual carefully before installation and use. It will also help you to solve some easy problems by yourself. We hope our product will bring you more effectiveness and satisfaction when using your machine.



SPECIFICATIONS

MODEL #	PD-150
SPEED	3000 RPM
TORQUE	150 ft./lbs.
AIR PRESSURE	90 PSI/6.3kg-cm
VOLTAGE	110V - 60Hz



WARNING

Please make sure power supply is turned off before assembly.



Do not disassemble unit for any repairs while installed .



Please remove cutting tool item from machine before installing power drawbar.



Please make sure input voltage for power drawbar is A.C. 110V.



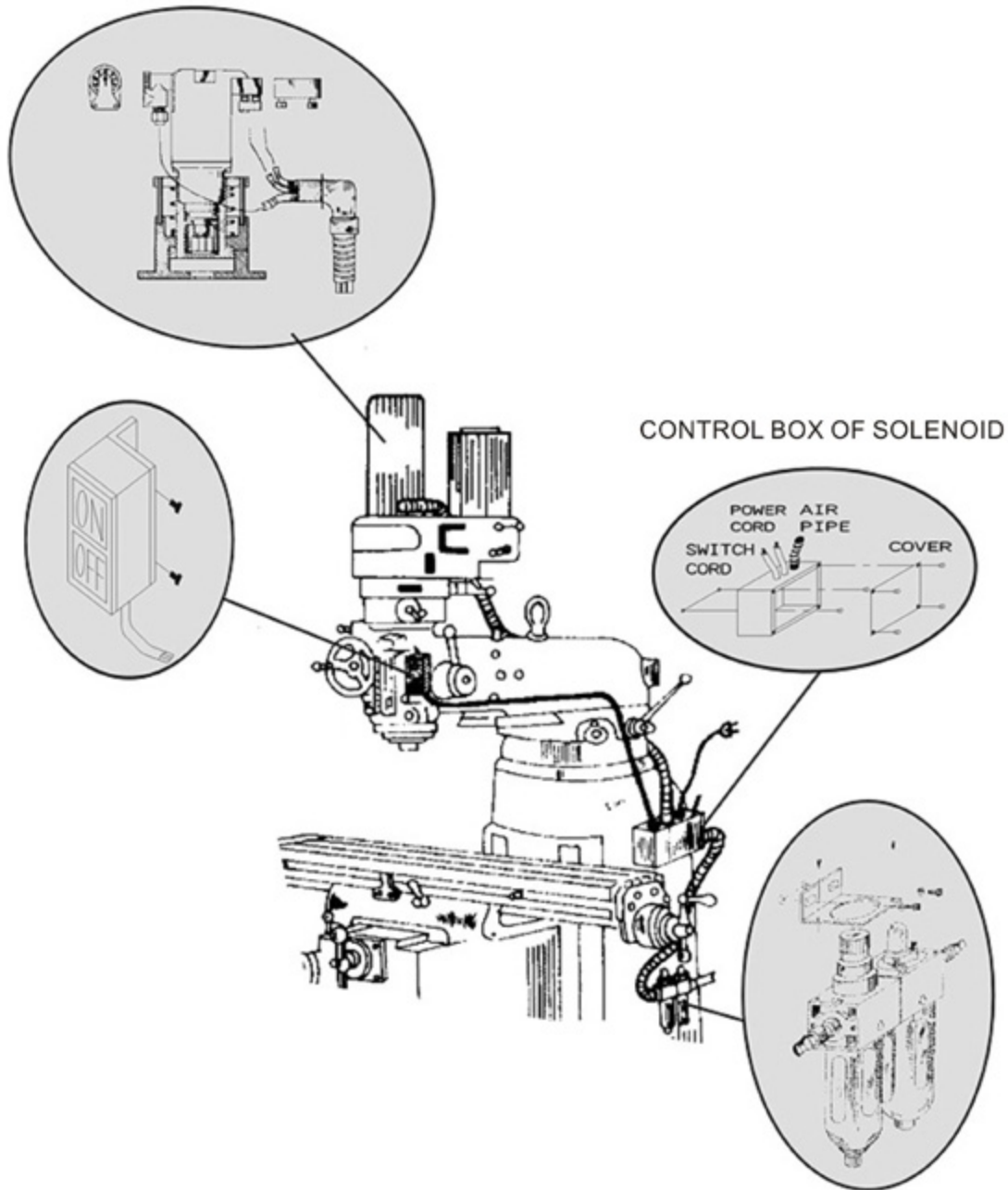
Make sure wire is clear of all obstacles.



Please don't set the power drawbar in a damp working zone and don't clean with water.



HOW TO INSTALL THE POWER DRAWBAR & ACCESSORY



AIR POWER DRAWBAR

There is a throttle button (position A) installed on the power head. The air pressure could be adjusted from 1 to 8 graduation according to user's need.

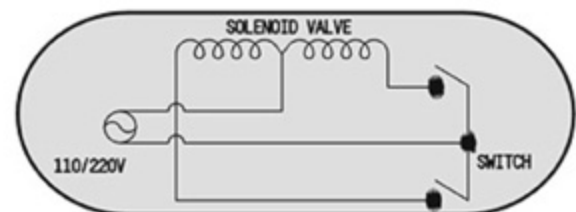
There are 3 hoses inside the air pipe (position B) and each has been marked separately 1,2,3. Please insert them into rapid joint which has the same number.

HAND CONTROLLED SWITCH

1. Push tight switch (ON) until tool is securely tightened.
2. Push loose switch (OFF) to disengage tool.

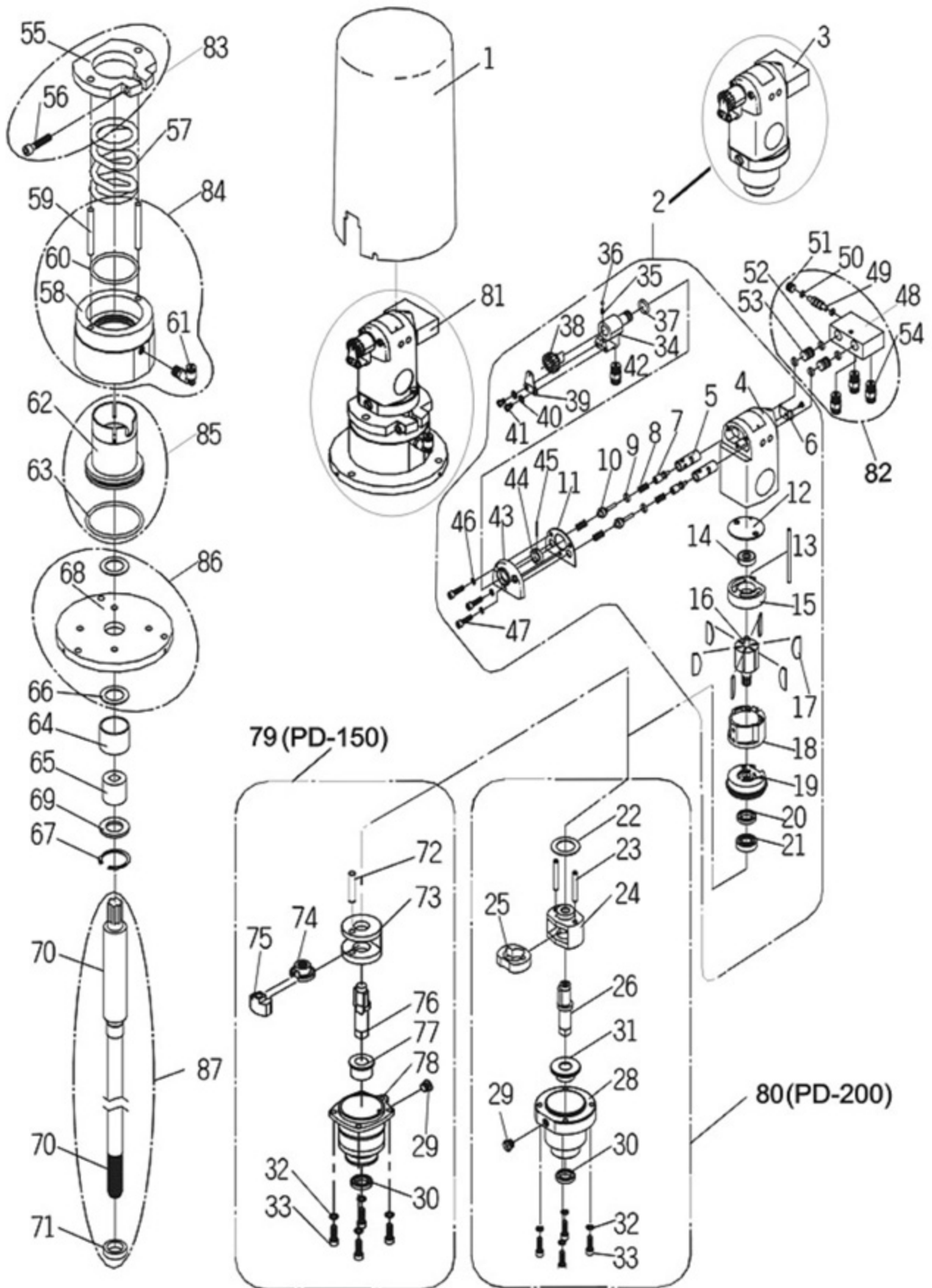
CIRCUIT DIAGRAM FOR SOLENOID VALVE

This air power drawbar is designed with a safety device controlled by a solenoid. The power drawbar cannot be operated while machine is running. Ensure the main machine power is OFF before operation.



(Combination of three-point Regulator/Filter/Lubricator)

SCHEMATIC DIAGRAM OF PARTS



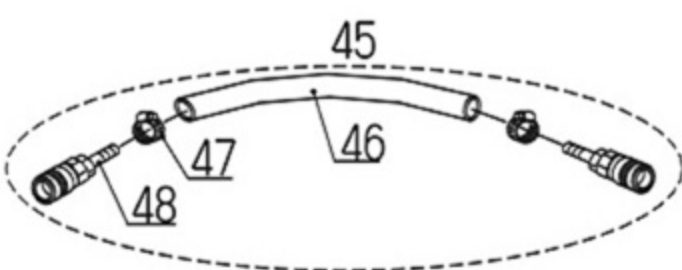
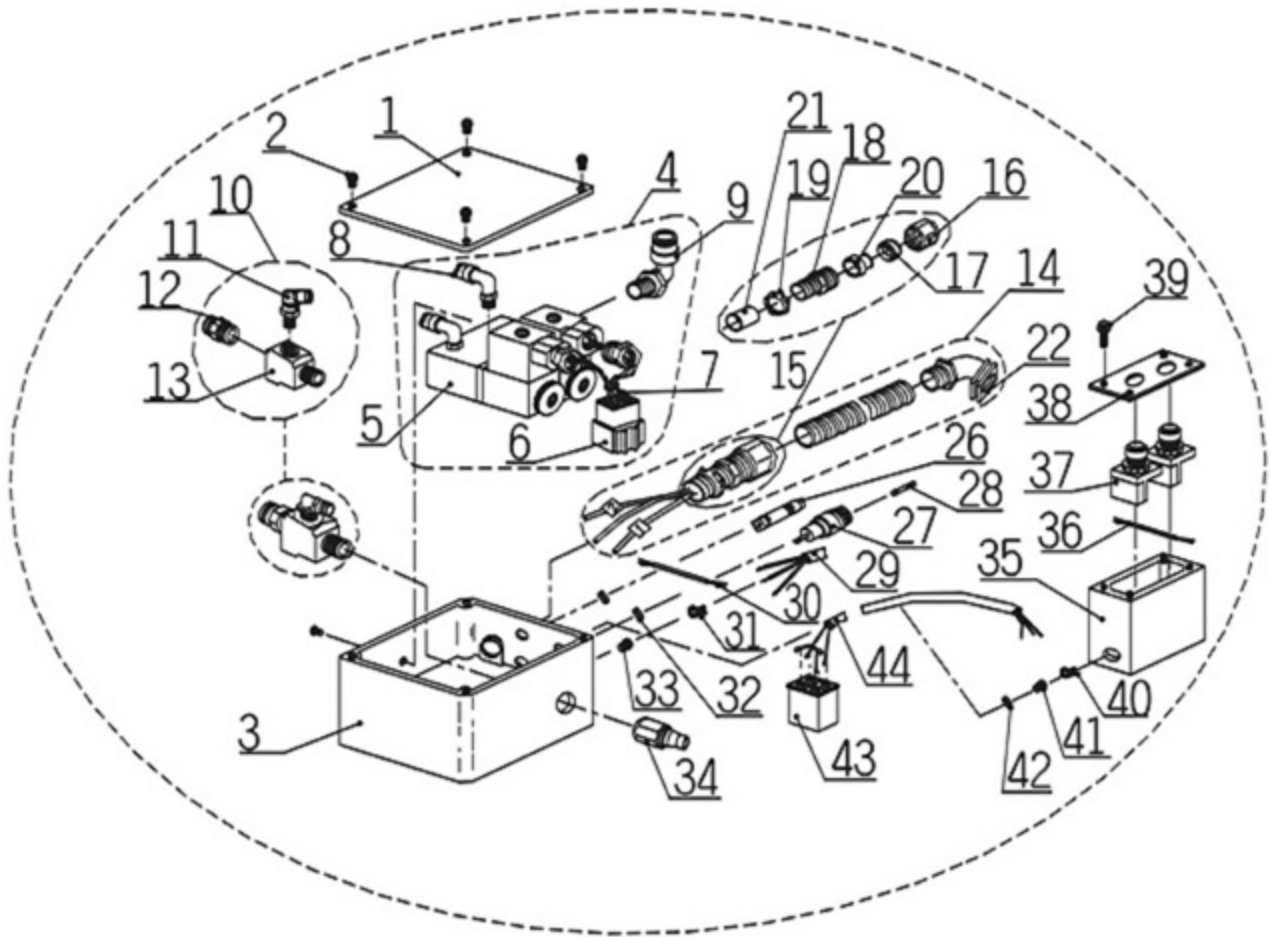
SCHEMATIC DIAGRAM OF ACCESSORY

NO.	PART NAME	PART NO.	SPECIFICATION	REMARK
1	COVER GROUPS	P02901		
2	AIR IMPACT WRENCH	PDM-1V		
3	CONTROL VALVE	P02013		
4	MOTOR HOUSING	P02008	ADC 12	
5	THROTTLE VALVE	P02009	φ 21 x 57.4	
6	PLUNGER STOP PLATE	P02010	SPCE	
7	THROTTLE PLUNGER	P02011	S45C	
8	SPRING	X00052	SWPA φ 0.5 x 13	
9	O-RING	Q00050	SBR	
10	THROTTLE VALVE	P02012	S45C	
11	HOUSING COVER GASKET	Q10001	T1.6	
12	MOTOR GASKET	Q10002	φ39.2 x T1.6	
13	MOTOR PIN	U42055	S45C φ2.55	
14	BEARING	B00001	626Z	
15	REAR END PLATE	P02016	ADC 12	
16	ROTOR	P02017	S45C	
17	ROTOR BLADE	P02018		
18	CYLINDER	P02019	S45C	
19	FRONT EBT PLATE	P02020	ADC12	
20	OIL SEAL	Q2001	φ6 x φ10 x φ16	
21	BEARING	B00002	628Z	
22	HAMMER CAGE GASKET	P02078	φ3.5 x φ37.7 x φ44.7	
23	HAMMER PIN	P02076	φ3.5 x φ39.7 x φ46.7	
24	HAMMER CAGE	P02075	φ10 x φ34 x T0.3	
25	DOG	P02077	Fc15	
26	ANVIL	P02074	SNCM 220	
28	HAMMER CASE	P02072	Fc15	
29	OIL PLUG	T98012	M8x12	
30	OIL SEAL	Q20002	φ12.5 x φ20.5 x T3.6	
31	RUBBER NOSE GUARD	P02073	φ12.6 x 15	
32	WASHER	W20050	φ5	
33	SCREW	T60001	M6 x 25	
34	AIR INLET BLOCK	P02002	ZDC1	
35	SPRING	X00051	SWPA	
36	REGULATOR BALL	P02003	φ2	
37	O-RING	Q00070	P7	
38	REGULATOR	P02004	ZDC1	
39	REGULATOR PLATE	P02005	SPCC	
40	WASHER	W40030	SPCE	
41	SCREW	T14016	M4 x 16	
42	RAPID JOINT	A10001	φ8	
43	HOUSING COVER	P02006	ADC12	
44	FIXING RING	P02007	φ6 x T16L	
45	RETAINER PIN		φ1.5 x 16L	

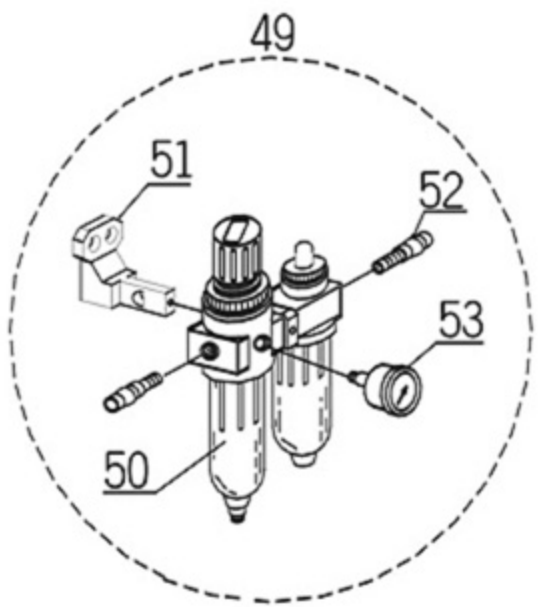
SCHEMATIC DIAGRAM OF ACCESSORY

NO.	PART NAME	PART NO.	SPECIFICATION	REMARK
46	WASHER	W20040	φ4	
47	SCREW	T54016	M4 x 16	
48	CONTROL VALVE ASSY	P02013	A2024P	
49	AIR INLET VALVE-A	P02014	S45C	
50	O-RING	Q00050	P5	
51	SCREW	T71010	M10 x 10	
52	AIR INLET VALVE-B	P02015	S45C	
53	O-RING	Q00070	P7	
54	RAPID JOINT	A10002	φ4	
55	SET RING	P02028		
56	SCREW	T56030	M5 x 16	
57	SPRING	X00053	φ0.5 x 13	
58	AIR CYLINDER HOLDER	P02030		
59	GUIDE BAR	U46055		
60	O-RING	Q00480		
61	RAPID JOINT	A20001	φ4	
62	PISTON	P02031		
63	O-RING	Q00570	φ5.7 x φ57.6 x φ69	
64	PLASTIC BUSHING	P02032	Pa6	
65	CLUTCH	P02033		
66	WASHER	W12030	φ20 x φ30 x T1	
67	CRESCENT RING	F00032	IRTW-32	
68	BOTTOM COVER	P02034		
69	INNER RING	P02035	φ32 x φ18 x T13	
70	DRAWBAR HEAD	P02036		
70	DRAWBAR	P02037		
71	DRAWBAR RING	P02038		
72	HAMMER CAGE PIN	U46032	φ5.9 x 32L	
73	HAMMER CAGE	P02021		
74	HAMMER CAM	P02022		PD-150
75	DOG	P02023		PD-150
76	ANVIL	P02025		PD-150
77	RUBBER NOSE GUARD	P02027		PD-150
78	HAMMER CASE	P02026		PD-150
79	HAMMER CASE GROUPS	P02907		PD-150
80	HAMMER CASE GROUPS	P02912		PD-200
81	HOST GROUPS	PDM1-2V		PD-150
81	HOST GROUPS	P02913		PD-200
82	CONTROL VALVE GROUPS	PDM2-1V		
83	SET RING GROUPS	PFR3-33		
84	AIR CYLINDER GROUPS	PDM567		
85	PISTON GROUPS	PDM7-3		
86	BOTTOM COVER GROUPS	PDM8-9		
87	DRAWBAR GROUPS	PDM1415A		

PARTS LIST



- 54
- 55
- 56
- 57
- 58
- 59
- 60

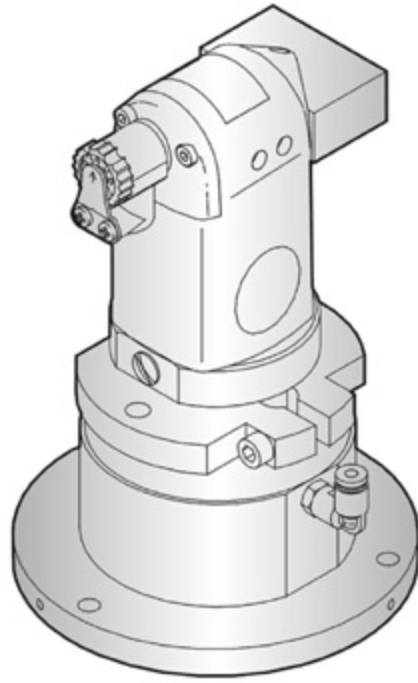


PARTS LIST FOR ACCESSORY

NO.	PART NAME	PART NO.	SPECIFICATION	REMARK
1	CONTROL BOX COVER	P02039		
2	SCREW	T14006	M4 x 6	
3	CONTROL BOX HOUSING	P02040		
4	SOLENOID VALVE SET	PDC6		
5	SOLENOID VALVE	PDC3-1		
6	CIRCUIT CONNECTOR	E60004		
7	WIRE	E11102	18AWG	
8	RAPID JOINT	A20001	SPL-4-01	
9	RAPID JOINT	A20002	SPL-06-01	
10	T-WAY WITH RAPID JOINT	PDC9-11		
11	RAPID JOINT	A20003	SPL-6-02	
12	RAPID JOINT	A10003	SPL-8-02	
13	T-WAY JOINT	P02051		
14	AIR PIPE ASSEMBLY	PDC1415		
14	JOINT	E60006		
14	AIR PIPE	A00001		
15	JOINT ASSEMBLY	P02908	3/8" x 2.5M	
16	NUT	P02043		
17	CAP	P02041		
18	JOINT	P02042		
19	NUT	P02044		
20	NUT	P02045		
21	NUT	P02046		
24	PU TUBE	P02048	φ4 x φ2.5 x φ2.5M	
24	PU TUBE	P02049	φ5 x φ8 x φ2.5M	
24	PU TUBE	P02050	φ6 x φ8 x φ2.5M	
26	LIGHT	P02056		
27	FUSE HOLDER	E50901		
28	FUSE	E50051	4A	
29	POWER CORD	E23012	3C x 0.75 x 2M	
30	WIRE	E10106	18AWG	
31	WIRE HOLDER	A0100-08A	UC-1	
32	WIRE CLAMP	P02057		
33	SCREW	T14006	M4 x 6	
34	RAPID JOINT	A10004	PF 20	
35	SWITCH BOX	P02058		
36	WIRE	E11105		
37	BUTTON SWITCH-ON	E32001		
37	BUTTON SWITCH-OFF	E32002		
38	SWITCH BOX COVER	D20001		
39	SCREW	T14006	M4 x 6	
40	WIRE HOLDER	A0100-08A		
41	SCREW	T15006	M5 x 6	
42	WIRE CLAMP	P02057		

PARTS LIST FOR ACCESSORY

NO.	PART NAME	PART NO.	SPECIFICATION	REMARK
43	WIRE CONNECTOR	E60005		
44	CONTROL CORD	E24001	4C x 0.75 x 2.5M	
45	HOSE & JOINT ASSEMBLY	PDF345		
46	HOSE	A00002		
47	HOSE CLAMP	P02060		
48	RAPID JOINT	A10005	SH-20	
49	FILTER ASSEMBLY	PDF		
50	FILTER	P02061	AFC-2000	
51	FILTER HOLDER	P02062		
52	RAPID JOINT	P02063	Pm20	
53	PRESSURE GAUGE	P02064		
54	SCREW	T36020	M6 x 20	
55	SCREW	T36016	M6 x 16	
56	SCREW	T15010	M5 x 10	
57	SCREW	T14010	M4 x 10	
58	WASHER	W10050	$\phi 5 \times \phi 12 \times 1\text{mm}$	
59	SPRING WASHER	W20050	$\phi 5$	
60	SPRING WASHER	W20060	$\phi 6$	



TTC