

OTMT

SANDBLASTER



ITEM NO.96-004-164
MODEL NO.SOW0101

Version date: 10/11/2013

Please Read These Instructions Before Operating Your Machine
Contents Subject To Change Without Notice

CONTENTS

Specifications	1
Safety Warning & Cautions	1
Parts List	2
Drawing	3

SAVE THIS MANUAL

This manual includes safety instructions, assembly, operating instructions and a parts list. Put it in a safe, dry place for future reference.

READ ALL INSTRUCTIONS BEFORE OPERATING THE SANDBLASTER.

SPECIFICATIONS

Overall Dimensions	960MM x 630MM x 650MM
Gross Weight/Net Weight	51KGS / 48KGS
Power	120V/60 Hz
Maximum Operating Pressure	125PSI



SAFETY WARNING & CAUTIONS

1. KEEP WORK AREA CLEAN. CLUTTERED AREAS INVITE INJURIES.
2. KEEP CHILDREN AWAY from the work area.
3. WEAR GOGGLES or SAFETY GLASSES DURING OPERATION.
4. GLASS LENS IS 5MM TEMPERED. Replace only with Tempered or Safety Glass.
Size: 610MM x 340MM.
5. USE GROUNDED RECEPTACLE ONLY for electrical hookup. Requires 120 volts to operate vacuum.
6. REPLACE GLOVES. Cabinet gloves can wear out. Replace as necessary.
7. CLOSE AND LATCH DOOR DURING OPERATION.
8. DISCONNECT INCOMING AIR LINE when adding abrasive material, or when servicing the hoses, power gun, or other components.

Abrasive can be re-used until it eventually breaks down or becomes dusty. To discard worn abrasive simply place empty box below the spring loaded trap door. Add more abrasive and resume blasting.

You can use your shop vacuum to remove the dust created in blasting by connecting to the vacuum ferrule. When using a shop vacuum, be sure to install the paper filter over the standard filter. Otherwise abrasive could work its way into the vacuum motor, causing bearing failure.

At the right front of the cabinet is an opening to connect the air hose from your compressor. An ordinary 3/8" ID air hose should fit through this opening. Connect your air hose to the bottom handle of the power gun by screwing into place (use teflon tape or pipe compound – do not over tighten). Close door and pull trigger a few times to test operation. You are now ready to add abrasive material.

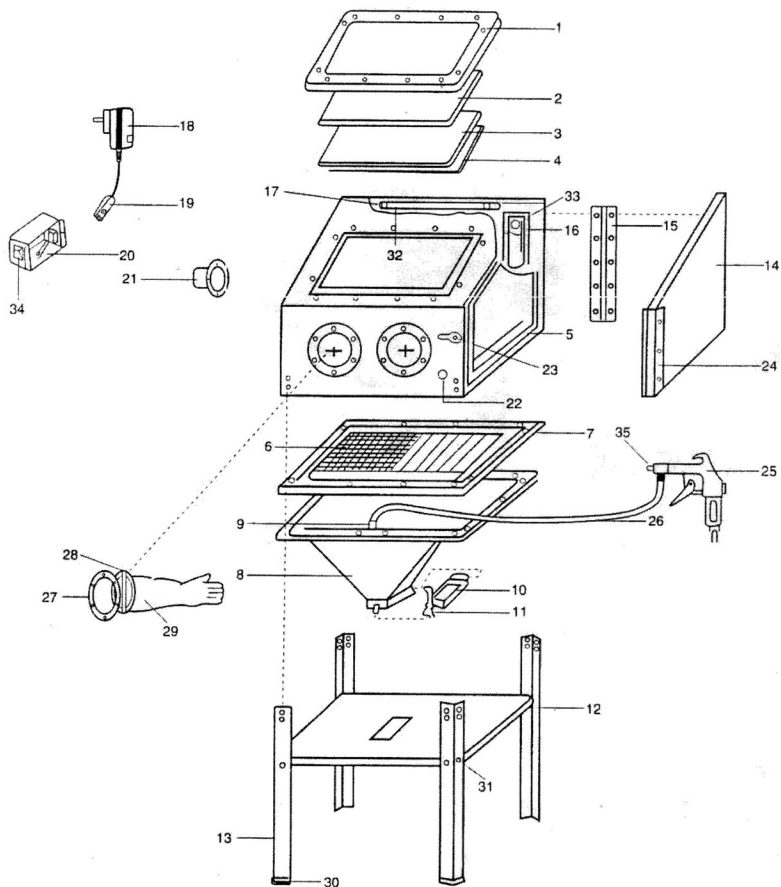
Add suitable abrasive by pouring through side door opening and allowing it to fill the funnel area. Do not over fill (1/2 full below the work area screen is best).

NOTE: Use a fine grade of abrasive to prevent clogging. We recommend straining through a double layer of ordinary wire mesh. If it passes through the screen, it will pass through the nozzle. YOU ARE READY TO START BLASTING.

PARTS LIST

Part No.	Description	Qty.	Part No.	Description	Qty.
1	Frame	1	19	Plug, Low Voltage	1
2	Glass	1	20	Switch Box, Low Voltage	1
3	Glass Board	1	21	Suction Flange	1
4	Protection film	1	22	Hose Inlet Fitting	1
5	Cabinet	1	23	Latch	1
6	Steel Screen	1	24	Metal Liner	1
7	Screen Frame	1	25	Abrasive Gun	1
8	Cabinet Funnel	1	26	Suction Hose	1
9	Abrasive Suction Pipe	1	27	Mounting Ring, Glove	1
10	Abrasive Removal Cover	1	28	Clamp	1
11	Cover Lock	1	29	Gloves, Pair	1
12	Shelf	1	30	Feet	4
13	Legs	4	31	Screws, Nuts, Washers	26
14	Plastic Door	1	32	Light, Low Voltage	1
15	Hinge	1	33	Intake Vent	1
16	Intake Vent Cover	1	34	Switch, Low Voltage	1
17	Light Clamp	2	35	Ceramic Nozzle	4
18	Transformer, Low voltage	1			

DRAWING





OTMT