



Toe Jack V20

Features:

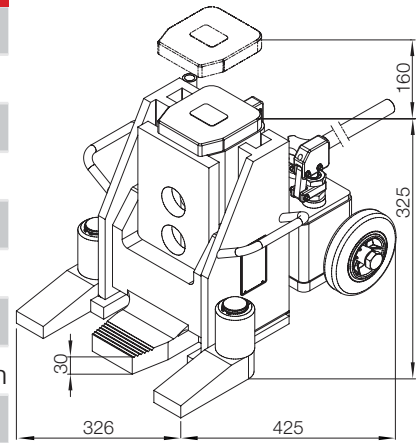
- Forged, steel safety toe, which is stronger than the industry standard of cast steel
- Fast stroke and slow stroke cylinders to facilitate manual lifting operation
- Ability to operate manually or with a hydraulic pump
- 3 starting positions



Technical data

V20

Item number	1-10184
Full load capacity	44,000 lbs. / 200kN (20 t)
Working pressure	7,542 psi / 520 bar
Minimum loading height using safety toe	1.2" / 30 mm
Lifting height	6.3" / 160 mm
Number of toe positions	3 x
Loading height using top plate	12.8" / 325 mm
Overall dimensions (L x W x H)	16.7 x 12.8 x 12.8" / 425 x 326 x 325 mm
Weight with oil	159 lbs. / 72 kg



Contents

Hydraulic
Toe Jacks

Pumps

Transport Dollies

Rotating Dollies

ROBOTS

Rollers

Nickel
Plated Equipment