



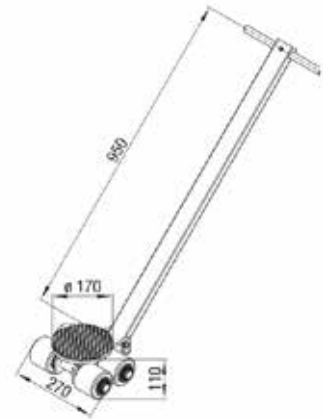
Transport Dollies L3

Features:

- L dolly- swivel plate to facilitate steering
- Durable, non-marking rollers
- Thick, grooved rubber pads to prevent load slippage



Technical data	L3
Item number	3-10207
Loading height / number of wheels (85 x 85 mm)	4.3" / 4 110 mm / 4
Contact surface per cartridge	–
Connecting bar	–
Swivel plate ø 170 mm, steering angle	±90°
Steering rod	37.4" / 950 mm
Overall dimensions (L x W)	9.4 x 10.6 " / 238 x 270 mm
Weight	27 lbs./12 kg
Load capacity per unit	6,600 lbs./ 30 kN (3 t)



L3