

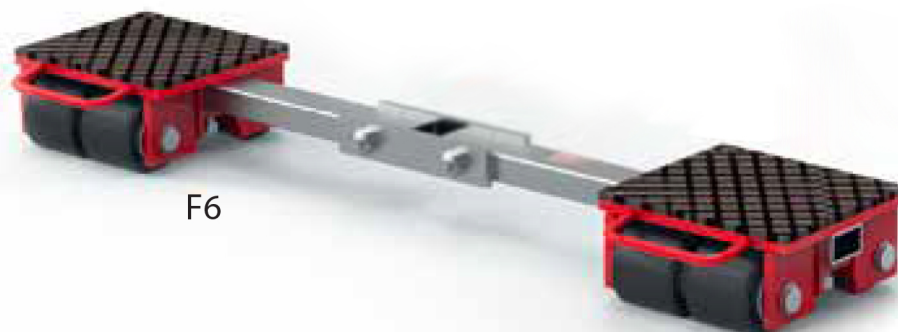
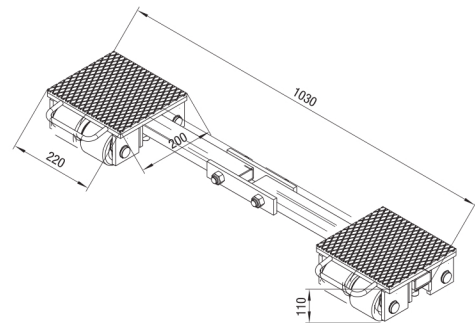


## Transport Dollies F6

- Features:
- F dolly- connecting bar with joint to accommodate uneven surfaces
  - High durability rollers that are non-marking
  - All wheels are boxed in for protection



Technical data	F6
Item number	3-1020 8
Loading height / number of wheels (85 x 85 mm)	4.3" / 8 110 mm / 8
Contact surface per cartridge	7.9 x 8.7" / 200 x 220 mm
Connecting bar	25.2 - 40.6" / 640 x 1030 mm
Swivel plate ø 170 mm, steering angle	—
Steering rod	34.9" / 887 mm
Overall dimensions (L x W)	7.9 x 40.6" / 200 x 1030 mm
Weight	60 lbs. / 30 kg
Load capacity per unit	13,200 lbs. / 60 kN (6 t)



- Contents
- Hydraulic  
Toe Jacks
- Pumps
- Transport Dollies
- Rotating Dollies
- ROBOTS
- Rollers
- Nickel  
Plated Equipment