

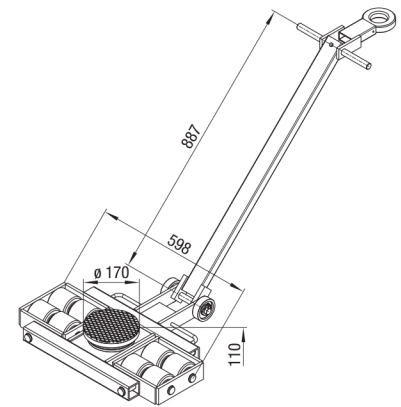


## Transport Dollies L6

- Features:
- L dolly- includes towing eye for easy transport of the load
  - High durability rollers that are non-marking
  - All wheels are boxed in for protection



Technical data	L6
Item number	3-1 0209
Loading height / number of wheels (85 x 85 mm)	4.3" / 8 110 mm / 8
Contact surface per cartridge	—
Connecting bar	—
Swivel plate ø 170 mm, steering angle	±90°
Steering rod	37.4" / 950 mm
Overall dimensions (L x W)	20.7 x 23.5 " / 525 x 598 mm
Weight	90 lbs. / 41 kg
Load capacity per unit	13,200 lbs. / 60 kN (6 t)



L6

Contents
Hydraulic Toe Jacks
Pumps
Transport Dollies
Rotating Dollies
ROBOTS
Rollers
Nickel Plated Equipment