



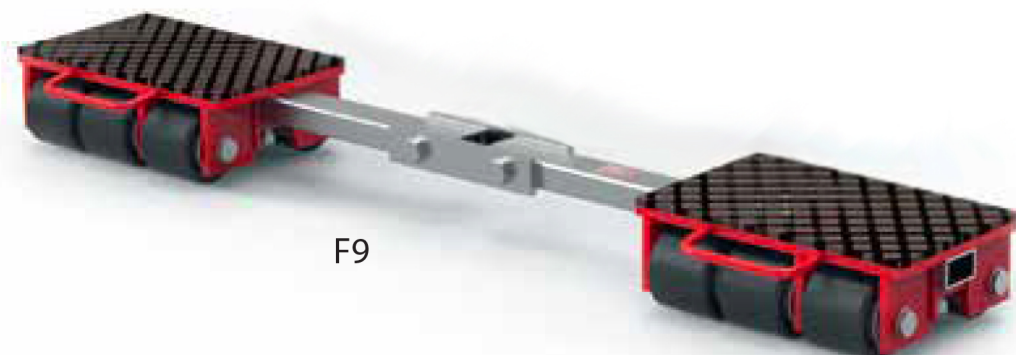
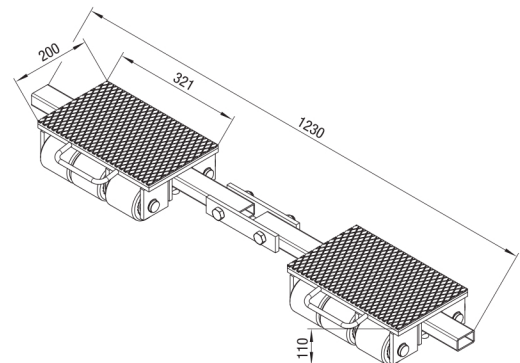
Transport Dollies F9

Features:

- F dolly- connecting bar with joint to accommodate uneven surfaces
- Durable, non-marking rollers
- Thick, grooved rubber pads to prevent load slippage



Technical data	F9
Item number	3-1107 0
Loading height / number of wheels (85 x 85 mm)	4.3" / 12 110 mm / 8
Contact surface per cartridge	7.9x12.6 " / 200x 321 mm
Connecting bar	33- 48.4" / 840x 1230 mm
Swivel plate ø 170 mm, steering angle	—
Steering rod	34.9" / 887 mm
Overall dimensions (L x W)	7.9 x 48.4 " / 200 x 1230 mm
Weight	95 lbs. / 43 kg
Load capacity per unit	19,800 lbs. / 90 kN (9 t)



F9