

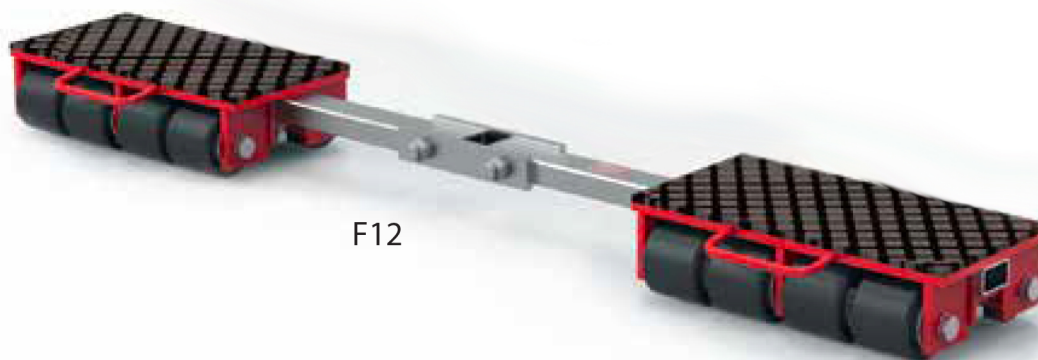
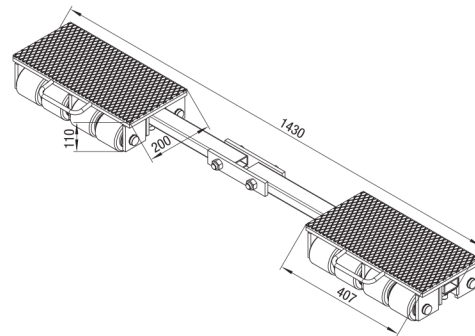


Transport Dollies F12

- Features:
- F dolly- connecting bar with joint to accommodate uneven surfaces
 - High durability rollers that are non-marking
 - All wheels are boxed in for protection



Technical data	F12
Item number	3-1 0312
Loading height / number of wheels (85 x 85 mm)	4.3" / 16 110 mm / 16
Contact surface per cartridge	76 x 16" / 200 x 407 mm
Connecting bar	39.9 - 56.3" / 1014 x 1430 mm
Swivel plate ø 170 mm, steering angle	—
Steering rod	34.9" / 887 mm
Overall dimensions (L x W)	7.9 x 56.3" / 200 x 1430 mm
Weight	151 lbs. / 52 kg
Load capacity per unit	26,400 lbs. / 120 kN (12 t)



F12

Contents
Hydraulic Toe Jacks
Pumps
Transport Dollies
Rotating Dollies
ROBOTS
Rollers
Nickel Plated Equipment