

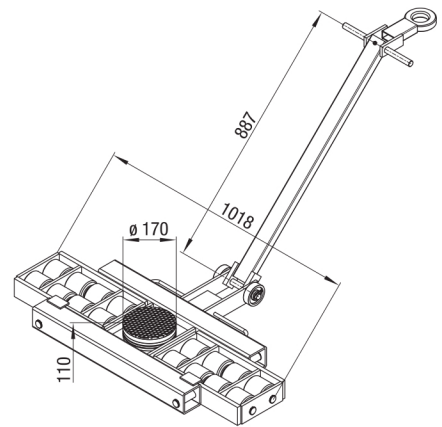


Transport Dollies L12

- Features:
- L dolly- includes towing eye for easy transport of the load
 - High durability rollers that are non-marking
 - All wheels are boxed in for protection



Technical data	L12
Item number	3-1 0313
Loading height / number of wheels (85 x 85 mm)	4.3" / 16 110 mm / 16
Contact surface per cartridge	—
Connecting bar	—
Swivel plate ø 170 mm, steering angle	±90°
Steering rod	42.5"/1080mm
Overall dimensions (L x W)	24.9 x 40.1 " / 633 x 1018 mm
Weight	176 lb ./ 80 kg
Load capacity per unit	26,400 lbs. / 120 kN (12 t)



L12

- Contents
- Hydraulic
Toe Jacks
- Pumps
- Transport Dollies
- Rotating Dollies
- ROBOTS
- Rollers
- Nickel
Plated Equipment