



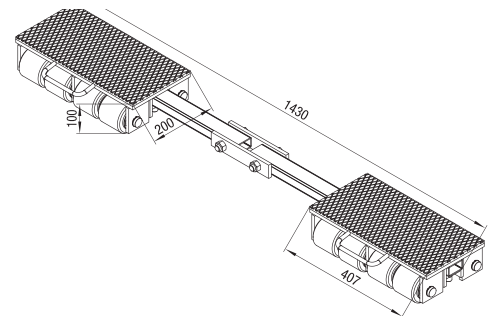
Transport Dollies F18

Features:

- F dolly- width adjustable points of contact
- Durable, non-marking rollers
- Thick, grooved rubber pads to prevent load slippage



Technical data	F18
Item number	3-1 0215
Loading height / number of wheels (85 x 85 mm)	4.3" / 16 110mm / 1 6
Contact surface per cartridge	7.9 x 16" / 200 x 407 mm
Connecting bar	39.9 - 56.3" / 1014 x 1430 mm
Swivel plate ø 170 mm, steering angle	—
Steering rod	34.9" / 887 mm
Overall dimensions (L x W)	7.9 x 56.3" / 200 x 1430 mm
Weight	121 lbs. / 55 kg
Load capacity per unit	39,600 lbs. / 180 kN (18 t)



F18