



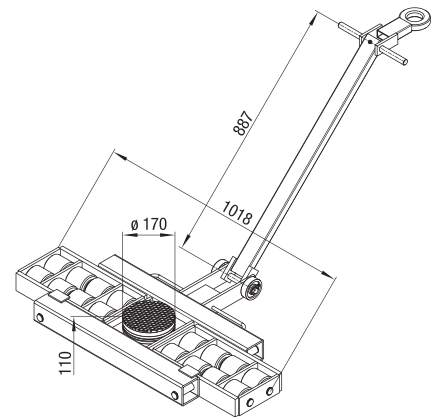
Transport Dollies L18

Features:

- L dolly- swivel plate to facilitate steering
- Durable, non-marking rollers
- Thick, grooved rubber pads to prevent load slippage



Technical data	L18
Item number	3-10 216
Loading height / number of wheels (85 x 85 mm)	4.3" / 16 110mm / 1 6
Contact surface per cartridge	–
Connecting bar	–
Swivel plate ø 170 mm, steering angle	±90°
Steering rod	42.5" / 1080 mm
Overall dimensions (L x W)	24.9 x 40.1 " / 633 x 1018 mm
Weight	181 lbs. / 82 kg
Load capacity per unit	39,600 lbs. / 180 kN (18 t)



L18