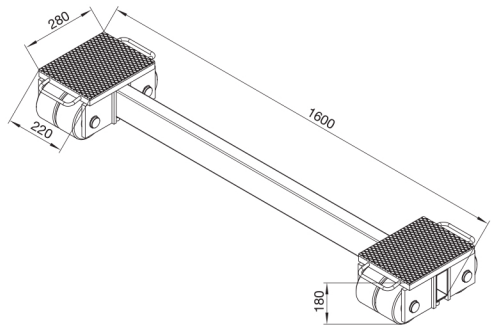




Transport Dollies F20

- Features:**
- F dolly- width adjustable points of contact
 - High durability rollers that are non-marking
 - All wheels are boxed in for protection

Technical data	F20
Item number	3-1 1060
Loading height / number of wheels (140 x 85mm)	7.1" / 8 180 mm / 8
Contact surface per cartridge	11.2x8.7" / 280 x 220 mm
Connecting bar	17.3 - 63" / 440 x 1600 mm
Swivel plate ø 170 mm, steering angle	—
Steering rod	55.9" / 1420 mm
Overall dimensions (L x W)	11 x 63 " / 280 x 1600 mm
Weight	179 lbs. / 81 kg
Load capacity per unit	44,000 lbs. / 200 kN (20 t)



F20

Contents
Hydraulic Toe Jacks
Pumps
Transport Dollies
Rotating Dollies
ROBOTS
Rollers
Nickel Plated Equipment