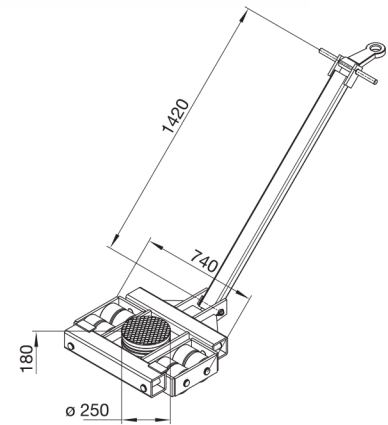




Transport Dollies L20

- Features:
- L dolly- includes towing eye for easy transport of the load
 - High durability rollers that are non-marking
 - All wheels are boxed in for protection

Technical data	L20
Item number	3-1 1061
Loading height / number of wheels (140 x 85mm)	7.1" / 8 180 mm / 8
Contact surface per cartridge	—
Connecting bar	—
Swivel plate ø 170 mm, steering angle	±90°
Steering rod	63.8"/1620 mm
Overall dimensions (L x W)	31.5 x 29.4 " / 800 x 747 mm
Weight	375 lbs. / 170 kg
Load capacity per unit	44,000 lbs. / 200 kN (20 t)



Contents
Hydraulic Toe Jacks
Pumps
Transport Dollies
Rotating Dollies
ROBOTS
Rollers
Nickel Plated Equipment