



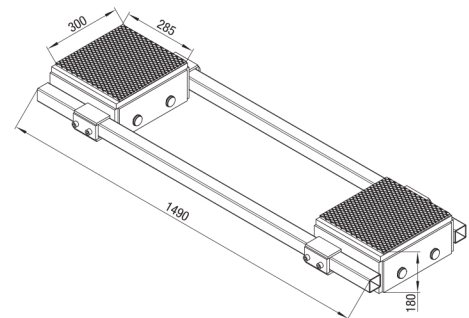
Transport Dollies F30

Features:

- F dolly- width adjustable points of contact
- Durable, non-marking rollers
- Thick, grooved rubber pads to prevent load slippage



Technical data	F30
Item number	3-1 1992
Loading height / number of wheels (140 x 85mm)	7.1" / 12 180 mm / 12
Contact surface per cartridge	11.8x11.2 " / 300x 285 mm
Connecting bar	25.6 - 72" / 650 x 1830 mm
Swivel plate ø 250 mm, steering angle	—
Steering rod	55.9 " / 1420 mm
Overall dimensions (L x W)	11.8 x 58.7 " / 300 x 1490 mm
Weight	282 lbs. / 128 kg
Load capacity per unit	66,000 lbs. / 300 kN (30 t)



F30