



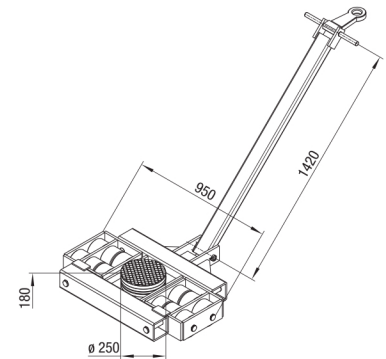
Transport Dollies L30

Features:

- L dolly- swivel plate to facilitate steering
- Durable, non-marking rollers
- Thick, grooved rubber pads to prevent load slippage



Technical data	L30
Item number	3-1 1993
Loading height / number of wheels (140 x 85mm)	7.1" / 12 180 mm / 12
Contact surface per cartridge	—
Connecting bar	—
Swivel plate \varnothing 250 mm, steering angle	$\pm 90^\circ$
Steering rod	63.8"/1620mm
Overall dimensions (L x W)	32.3 x 37.4 " / 820 x 950 mm
Weight	472 lbs. / 214 kg
Load capacity per unit	66,000 lbs. / 300 kN (30 t)



L30

