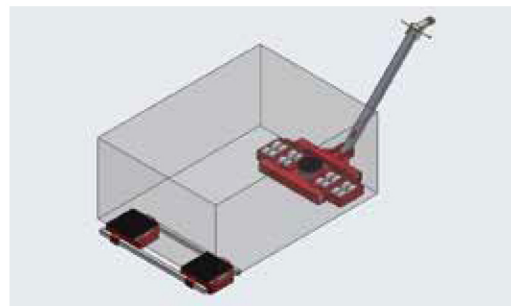


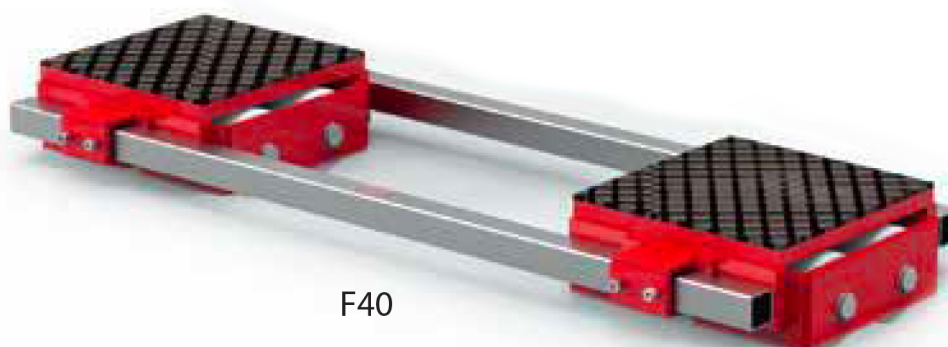
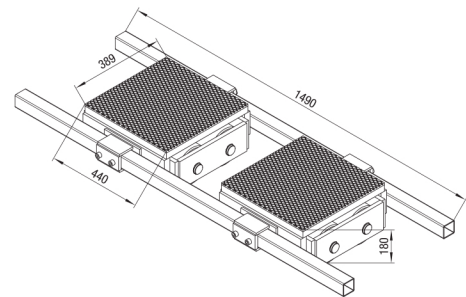


## Transport Dollies F40

- Features:
- F dolly- two connecting bars for greater stability
  - High durability rollers that are non-marking
  - All wheels are boxed in for protection



Technical data	F40
Item number	3-1 1770
Loading height / number of wheels (140 x 85mm)	7.1" / 16 180 mm / 16
Contact surface per cartridge	15.3 x 17.3 " / 389 x 440 mm
Connecting bar	29.1 - 71.1" / 740 x 1820 mm
Swivel plate ø 250 mm, steering angle	—
Steering rod	55.9" / 1420 mm
Overall dimensions (L x W)	15.3 x 58.7 " / 389 x 1490 mm
Weight	463 lbs. / 210 kg
Load capacity per unit	88,000 lbs. / 400 kN (40 t)



F40

- Contents
- Hydraulic  
Toe Jacks
- Pumps
- Transport Dollies
- Rotating Dollies
- ROBOTS
- Rollers
- Nickel  
Plated Equipment