

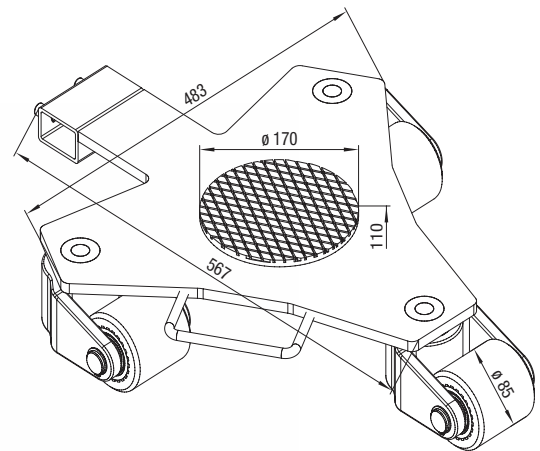


Rotating Dolly RL2

- Features:**
- Ideal for tight turns due to 360-degree capabilities
 - Minimal loading height
 - Thick, grooved rubber pad to prevent load slippage



Technical data	RL2
Item number	6-10238
Loading height / number of wheels (85 mm x 85 mm)	4.3" / 3 110 mm / 3
Overall dimensions (L X W X H)	22.3 x 19 x 4.3" / 567 x 483 x 110 mm
Tare weight	66 lbs. / 30 kg
Load Capacity	4,400 lbs. / 20 kN (2 t)



- Contents
- Hydraulic
Toe Jacks
- Pumps
- Transport Dollies
- Rotating Dollies
- ROBOTS
- Rollers
- Nickel
Plated Equipment