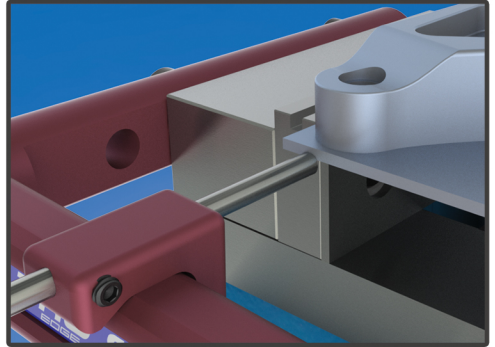


**PRO VISE STOP**  
OWNER'S MANUAL

WWW.EDGETECHNOLOGYPRODUCTS.COM

**LOW PROFILE DESIGN**

- THE PRO VISE STOP IS DESIGNED TO STAY BELOW THE TOP SURFACE OF THE VISE JAWS WHICH MEANS IT WILL NOT INTERFERE WITH CUTTING TOOL PATHS.



**INCREASED ACCURACY**

- THE PRO VISE STOP IS DESIGNED TO KEEP THE STOP ROD SQUARE TO THE WORK PIECE THROUGHOUT THE ENTIRE RANGE OF MOTION. THIS CONFIGURATION PROVIDES A MORE CONSISTENT LOCATING SURFACE FOR INCREASE PART ACCURACY.

**TOTAL CUTTER CLEARANCE**

- AFTER LOCATING THE WORK PIECE THE ARM OF THE PRO VISE STOP CAN BE ROTATED OUT OF THE WAY FOR TOTAL CUTTER CLEARANCE. THE ARM CAN THEN BE ACCURATELY REPOSITIONED TO LOCATE THE NEXT WORK PIECE. NOTE THAT THE BOLT MUST BE LOOSENED AND RETIGHTENED FOR THIS PROCESS.



**LONG STOCK**

- THE INCLUDED STOP ROD COLLAR MAKES IT EASY TO LOCATE LONG STOCK LENGTHS.

